

Catifa 46 Counter Stool

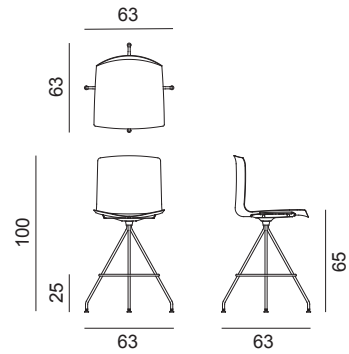
Design by Lievore Altherr Molina, 2012

Art. 0306

Low stool on swivelling, chromed steel base. The shell with high backrest is in polypropylene with cushion upholstered in fabric, leather, coated fabric or customer's material applied to the seat surface. Seat height 65 cm. Backrest height 100 cm.



Dimensions *



* File CAD 2D - 3D available for download at www.arper.com

Frame Base



CRO

Shell

Polypropylene



PO00204

PO00205

PO00209

PO00212

PO00213

PO00214

PO00215

PO00216

PO00217

PO00218

arper

www.arper.com

info@arper.com

Catifa 46 Counter Stool

Design by Lievore Altherr Molina, 2012


Accessories:




Set of glides Art. 2015

SHIPMENT DETAILS

Art.0306

1 pz = 2  - kg 15,96/ m³ 0,268

4 pz = 5  - kg 57,68/ m³ 0,772

RESISTANCE TEST

- TUV GS (EN16139)

ENVIRONMENTAL CERTIFICATIONS



TECHNICAL SPECIFICATIONS

Art.0306

COL requirement m² 0.48

H 140 cm. COM Meterage m 0.59

FIRE RETARDANT TEST

arper

www.arper.com
info@arper.com

www.arper.com