

Catifa 46 Bar Stool

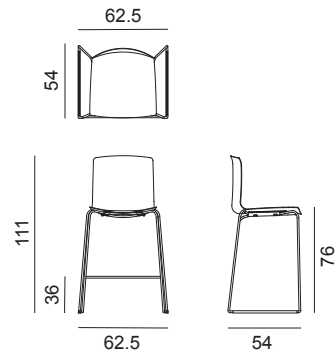
Design by Lievore Altherr Molina, 2012

Art. 0305

Stool with chromed or powder-coated steel sled base and Polypropylene shell with cushion upholstered in fabric, leather, coated fabric or customer's own material applied to the seat surface. Seat height 76 cm. Optional glides with felt for wooden floors are available upon request.



Dimensions *



* File CAD 2D - 3D available for download at www.arper.com

Frame Base



Shell

Polypropylene



- with stacking pad, without tools up to 8 units
- with stacking pad, with trolley up to 8 units
- leather / coated fabric: with stacking pad, without tools up to 5 units
- leather / coated fabric: with stacking pad, with trolley up to 5 units

arper

www.arper.com

info@arper.com

Catifa 46 Bar Stool

Design by Lievore Altherr Molina, 2012

Accessories:




Stacking protection pad Art.
0499




Trolley Art. 0760

SHIPMENT DETAILS

Art.0305

1 pz = 2  - kg 14,4/ m³ 0,378

4 pz = 2  - kg 46,44/ m³ 0,496

RESISTANCE TEST

- TUV GS (EN16139)

ENVIRONMENTAL CERTIFICATIONS



TECHNICAL SPECIFICATIONS

Art.0305

COL requirement m² 0.48

H 140 cm. COM Meterage m 0.59

FIRE RETARDANT TEST

Classe 1M Omologazione Italia Divina MD Kvadrat Divina Melange 3
Kvadrat Divina 3 Kvadrat Elmosoft Field Kvadrat Revive 1 Kvadrat
Steelcut Trio 3 Kvadrat Coated fabric Valencia Spradling

arper

www.arper.com
info@arper.com

www.arper.com