

# Catifa 80

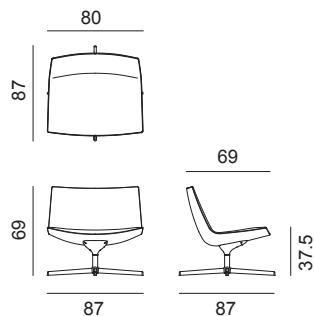
Design by Lievore Altherr Molina, 2006

## Art. 2028

Lounge chair with polished or powder-coated aluminium pedestal base, available in the swivel version (Art. 2009) or with return mechanism (Art. 2028) The polyurethane shell is upholstered in leather, coated fabric, fabric or customer's material.

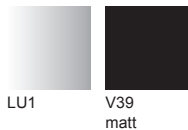


## Dimensions \*



\* File CAD 2D - 3D available for download at [www.arper.com](http://www.arper.com)

## Frame Base



arper

## Shell

### Carded In



### Graded In

**kvadrat**

**camira**

**Gabriel®**


# Catifa 80

Design by Lievore Altherr Molina, 2006

---

## SHIPMENT DETAILS

Art.2028

1 pz = 1  - kg 26,1/ m<sup>2</sup> 0,596

---

## RESISTANCE TEST

- EN 1728:2000 - EN 15373:2007 6.2.1
- EN 1728:2000 - EN 15373:2007 6.7
- EN 1728:2000 - EN 15373:2007 6.2.2

---

## ENVIRONMENTAL CERTIFICATIONS



---

## TECHNICAL SPECIFICATIONS

Art.2028

COL requirement m<sup>2</sup> 3.14

H 140 cm. COM Meterage m 2.37

---

## FIRE RETARDANT TEST

arper

www.arper.com  
info@arper.com

www.arper.com