

# Catifa 46 Bar Stool

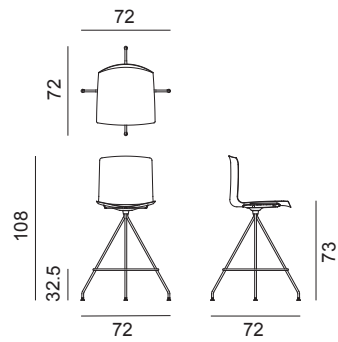
## Design by Lievore Altherr Molina, 2004

### Art. 0497

High stool on swivelling, chromed steel base. Polypropylene shell with high backrest and front upholstery in leather, coated fabric, fabric or customer's own material. Seat height 73 cm. Backrest height 108 cm.



Dimensions \*



\* File CAD 2D - 3D available for download at [www.arper.com](http://www.arper.com)

Frame Base



CRO

Shell

Polypropylene



PO00101

PO00104

PO00105

PO00109

PO00112

PO00113

PO00114

PO00115

PO00116

PO00117

PO00118

arper

www.arper.com

info@arper.com

# Catifa 46 Bar Stool

## Design by Lievore Altherr Molina, 2004

---

Accessories:




Set of glides Art. 2015

---

### SHIPMENT DETAILS

#### Art.0497

1 pz = 2  - kg 16,16/ m<sup>3</sup> 0,328

4 pz = 5  - kg 58,48/ m<sup>3</sup> 1,012

---

### RESISTANCE TEST

- EN 1728:2012 - EN 16139:2013 6.17
- EN 1728:2012 - EN 16139:2013 6.21
- EN 1728:2012 - EN 16139:2013 6.4
- EN 1728:2012 - EN 16139:2013 6.8
- EN 1728:2012 - EN 16139:2013 6.18
- EN 1728:2012 - EN 16139:2013 6.24
- EN 1728:2012 - EN 16139:2013 6.5
- TUV GS (EN16139)

---

### ENVIRONMENTAL CERTIFICATIONS



---

### TECHNICAL SPECIFICATIONS

Art.0497

COL requirement m<sup>2</sup> 0.94

H 140 cm. COM Meterage m 0.65

---

### FIRE RETARDANT TEST

arper

www.arper.com

info@arper.com