

# Catifa 60 Lounge

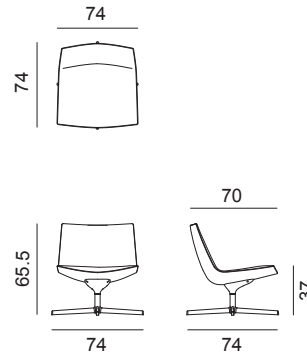
## Design by Lievore Altherr Molina, 2008

### Art. 2139

Lounge chair with polished or powdercoated aluminium pedestal base and low backrest, available in the swivel version (Art. 2139) or with return mechanism (Art. 2140). The polyurethane shell is upholstered in leather, coated fabric, fabric or customer's material. Aluminium armrests are offered in the same finishes of the base, also in upholstered version.

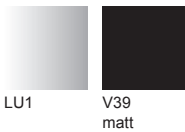


### Dimensions \*



\* File CAD 2D - 3D available for download at [www.arper.com](http://www.arper.com)

### Frame Base



arper

### Shell

### Carded In



### Graded In

**kvadrat**

**camira**

**Gabriel®**

info@arper.com

www.arper.com

# Catifa 60 Lounge

## Design by Lievore Altherr Molina, 2008

---




Armrests Cl

---

### SHIPMENT DETAILS

**Art.2139**

1 pz = 1  - kg 23,96/ m³ 0,51

---

### RESISTANCE TEST

- EN 1728:2000 - EN 15373:2007 6.15
- EN 1728:2000 - EN 15373:2007 6.2.1
- EN 1728:2000 - EN 15373:2007 6.5
- EN 1728:2000 - EN 15373:2007 6.7
- EN 1728:2000 - EN 15373:2007 6.16
- EN 1728:2000 - EN 15373:2007 6.2.2
- EN 1728:2000 - EN 15373:2007 6.6
- EN 1728:2000 - EN 15373:2007 6.8

---

### ENVIRONMENTAL CERTIFICATIONS



---

### TECHNICAL SPECIFICATIONS

**Art.2139**

COL requirement m² 2.76  
H 140 cm. COM Meterage m 1.82

---

### FIRE RETARDANT TEST

arper

www.arper.com  
info@arper.com

www.arper.com