

# Catifa 60 Lounge

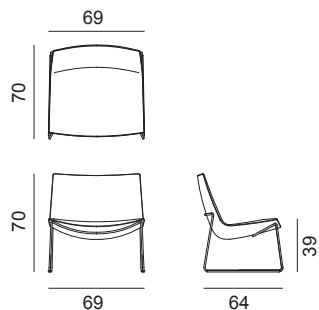
Design by Lievore Altherr Molina, 2008

## Art. 2141

Lounge armchair with chromed or powdercoated steel sled base and low backrest. The polyurethane shell is upholstered in leather, coated fabric, fabric or customer's material. Glides for wooden floors available upon request.

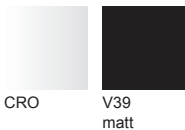


## Dimensions \*



\* File CAD 2D - 3D available for download at [www.arper.com](http://www.arper.com)

## Frame Base



arper

## Shell

### Carded In



### Graded In

**kvadrat**

**camira**

**Gabriel®**

# Catifa 60 Lounge

## Design by Lievore Altherr Molina, 2008

---

---

### SHIPMENT DETAILS

Art.2141

1 pz = 1  - kg 25,96/ m³ 0,508

---

### RESISTANCE TEST

---

### TECHNICAL SPECIFICATIONS

Art.2141

COL requirement m² 2.76

H 140 cm. COM Meterage m 1.82

---

### FIRE RETARDANT TEST

---

### ENVIRONMENTAL CERTIFICATIONS



arper

www.arper.com  
info@arper.com

www.arper.com