

Arcos Chair

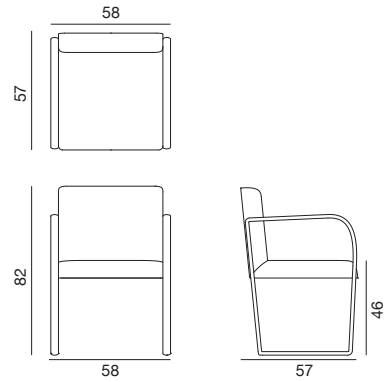
Design by Lievore Altherr, 2017

Art. 6100

Chair with sled base and integrated armrests made of powder-coated aluminum. Shell in metal and plywood is upholstered in fabric, leather, coated fabric or customer's material. The upholstery can be separated and replaced by technical personnel, since it has been applied without the use of glue. Arper grade: CHAIR



Dimensions *



* File CAD 2D - 3D available for download at www.arper.com

Frame Base



V39
matt



V59
matt



V60
matt



V61
matt



V62
matt

arper

www.arper.com

info@arper.com

Arcos Chair

Design by Lievore Altherr, 2017


Accessories:

USB Art. 6001

Replacement cover set Art.
6103

SHIPMENT DETAILS

Art.6100

1 pz = 1  - kg 13/ m³ 0,352

1 pz = 1  - kg 14,017/ m³

TECHNICAL SPECIFICATIONS

Art.6100

COL requirement m² 2.4

H 140 cm. COM Meterage m 1.52

*Classe 1, 2, 11M: fire retardant version available with
surcharge and eventual minimum batch

FIRE RETARDANT TEST

Thickness

arper

GLIDES

Standard



Hard floor
1MN0549
Optional



Hard floor
1MN0549



Hard floor
1MN0549



Hard floor
1MN0549



Wood
1MN0551

Wood
1MN0551

Wood
1MN0551

Wood
1MN0551


info@arper.com


www.arper.com

 Upholstery

 Mono density polyurethan 1

 Mono density polyurethan 2

 Ovatet and velveteen

 Wooden structure

