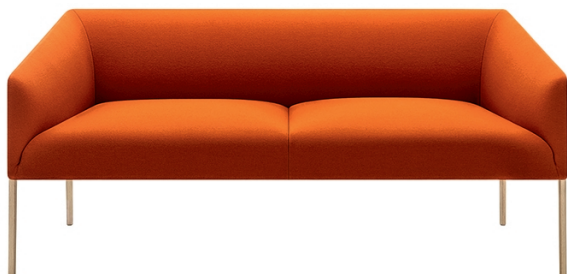


Saari

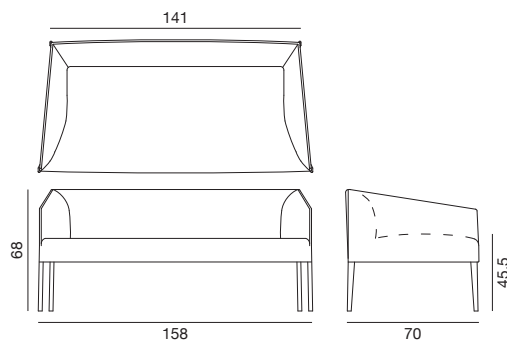
Design by Lievore Altherr Molina, 2009

Art. 2712

Two seater sofa with polished or powder-coated four-leg steel base, or with oak effect reconstituted veneer four-leg base. Shell with metal and plywood frame, upholstery available in leather, coated fabric, fabric or customer's material. Fully removable cover version available upon request without surcharge.

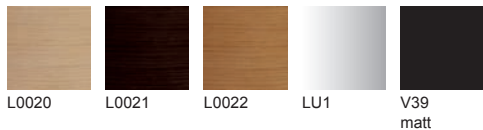


Dimensions *



* File CAD 2D - 3D available for download at www.arper.com

Frame Base



Shell

Carded In

Graded In

kvadrat

camira

Gabriel

arper

info@arper.com

www.arper.com

Saari

Design by Lievore Altherr Molina, 2009

Accessories:

USB Art. 6001

SHIPMENT DETAILS

Art.2712

1 pz = 1  - kg 32/ m³ 0,634

RESISTANCE TEST

- EN 1728:2000 - EN 15373:2007 6.10
- EN 1728:2000 - EN 15373:2007 6.13
- EN 1728:2000 - EN 15373:2007 6.16
- EN 1728:2000 - EN 15373:2007 6.2.1
- EN 1728:2000 - EN 15373:2007 6.6
- EN 1728:2000 - EN 15373:2007 6.8
- EN 1022:05
- EN 1728:2000 - EN 15373:2007 6.12
- EN 1728:2000 - EN 15373:2007 6.15
- EN 1728:2000 - EN 15373:2007 6.17
- EN 1728:2000 - EN 15373:2007 6.2.2
- EN 1728:2000 - EN 15373:2007 6.7
- EN 15373:2007 A.2
- EN 1728/2000 - EN 15373:2007 6.18

TECHNICAL SPECIFICATIONS

Art.2712

COL requirement m² 10.5
H 140 cm. COM Meterage m 4.46

FIRE RETARDANT TEST

ENVIRONMENTAL CERTIFICATIONS



arper

www.arper.com
info@arper.com