

# Catifa 53

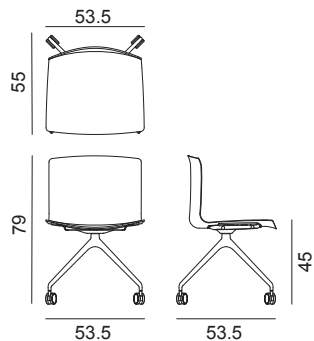
Design by Lievore Altherr Molina, 2001

## Art. 2055

Chair with polished or powdercoated aluminium fixed trestle base mounted on self-braking castors (color matching with base). Matt polypropylene shell available in single-colour or covered in hard leather without padding. Polypropylene and steel armrests, are available upon request.



Dimensions \*



\* File CAD 2D - 3D available for download at [www.arper.com](http://www.arper.com)

arper

Frame Base



Shell

Polypropylene



www.arper.com

info@arper.com

# Catifa 53

Design by Lievore Altherr Molina, 2001

---

Accessories:



Cushion Art. 0230



Cushion Art. 0231



Removable cover Art. 3116



Armrests BV



Armrests CV - pad (only for PO)

---

## SHIPMENT DETAILS

### Art.2055

- 1 pz = 2  - kg 10,8/ m³ 0,284
- 1 pz = 3  - kg 13,18/ m³ 0,313
- 4 pz = 2  - kg 32,2/ m³ 0,38
- 4 pz = 3  - kg 40,34/ m³ 0,416

---

## RESISTANCE TEST

- EN 1728:2012 - EN 16139:2013 6.10
- EN 1728:2012 - EN 16139:2013 6.15
- EN 1728:2012 - EN 16139:2013 6.20
- EN 1728:2012 - EN 16139:2013 6.4

- EN 1728:2012 - EN 16139:2013 6.11
- EN 1728:2012 - EN 16139:2013 6.16
- EN 1728:2012 - EN 16139:2013 6.26
- EN 1728:2012 - EN 16139:2013 6.5

---

## TECHNICAL SPECIFICATIONS

### Art.2055

\*Classe 1, 2, 11M: fire retardant version available with surcharge and eventual minimum batch

---

## FIRE RETARDANT TEST

arper

www.arper.com  
info@arper.com