

Duna 02

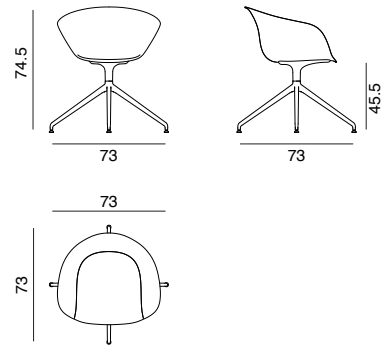
Design by Lievore Altherr Molina, 2014

Art. 4226

Armchair with polished or powdercoated aluminium swivel trestle base.
Polypropylene shell available in 4 colors, with seat cushion in leather, coated fabric,
fabric or customer's own material.



Dimensions *



* File CAD 2D - 3D available for download at www.arper.com

Frame Base



Shell

Polypropylene



Carded In



Graded In

kvadrat

camira

Gabriel®

arper

info@arper.com

www.arper.com

Duna 02


Design by Lievore Altherr Molina, 2014


Accessories:

Set of glides Art. 2015

SHIPMENT DETAILS

Art.4226

1 pz = 2  - kg 15,28/ m³ 0,367

4 pz = 2  - kg 46,2/ m³ 0,548

RESISTANCE TEST

- EN 1728:2012 - EN 16139:2013 6.10
- EN 1728:2012 - EN 16139:2013 6.15
- EN 1728:2012 - EN 16139:2013 6.17
- EN 1728:2012 - EN 16139:2013 6.20
- EN 1728:2012 - EN 16139:2013 6.25
- EN 1728:2012 - EN 16139:2013 6.4
- EN 1335-3:2009 7.1
- EN 1728:2012 - EN 16139:2013 6.11
- EN 1728:2012 - EN 16139:2013 6.16
- EN 1728:2012 - EN 16139:2013 6.18
- EN 1728:2012 - EN 16139:2013 6.24
- EN 1728:2012 - EN 16139:2013 6.26
- EN 1728:2012 - EN 16139:2013 6.5

ENVIRONMENTAL CERTIFICATIONS



TECHNICAL SPECIFICATIONS

Art.4226

COL requirement m² 0.56

H 140 cm. COM Meterage m 0.7

FIRE RETARDANT TEST

arper

www.arper.com
info@arper.com