

Catifa 46 Bar Stool

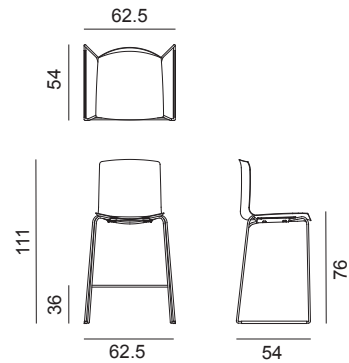
Design by Lievore Altherr Molina, 2004

Art. 0471

Stool with chromed or powdercoated steel sled base and shell in single-colour polypropylene or bi-colour polypropylene. Seat height 76 cm. Optional glides with felt for wooden floors are available upon request.



Dimensions *



* File CAD 2D - 3D available for download at www.arper.com

Frame Base



Shell

Polypropylene



- without tools up to 10 units
- with trolley up to 10 units

arper

info@arper.com

www.arper.com

Catifa 46 Bar Stool

Design by Lievore Altherr Molina, 2004

Accessories:



Cushion Art. 0261





Trolley Art. 0760

Removable cover Art. 0309

SHIPMENT DETAILS

Art.0471

1 pz = 2  - kg 11,7/ m³ 0,349

4 pz = 2  - kg 39/ m³ 0,432

RESISTANCE TEST

- EN 1728:2012 - EN 16139:2013 6.17
- EN 1728:2012 - EN 16139:2013 6.4
- EN 1728:2012 - EN 16139:2013 6.8

- EN 1728:2012 - EN 16139:2013 6.18
- EN 1728:2012 - EN 16139:2013 6.5
- TUV GS (EN16139)

TECHNICAL SPECIFICATIONS

Art.0471

Outdoor: only for PO, V12, V39 Outdoor powdercoated

*Classe 1, 2, 11M: fire retardant version available with surcharge and eventual minimum batch

FIRE RETARDANT TEST

Classe 11M Omologazione Italia Divina MD Kvadrat Divina Melange 3 Kvadrat Divina 3 Kvadrat Elmosoft Field Kvadrat Hallingdal 65 Kvadrat Revive 1 Kvadrat Remix 3 Kvadrat Coated fabric Valencia Spradling

arper

www.arper.com
info@arper.com

www.arper.com