

Catifa 53

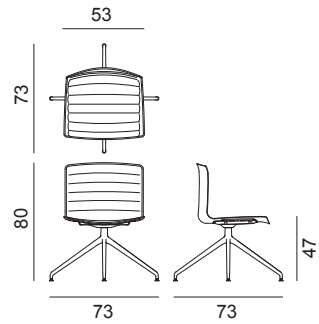
Design by Lievore Altherr Molina, 2001

Art. 2060

Chair with polished or powdercoated aluminium swivel trestle base. The shell is upholstered in leather, coated fabric, fabric or customer's material. Line detail stitching. Steel armrests, also padded, are available upon request.



Dimensions *



* File CAD 2D - 3D available for download at www.arper.com

Frame Base



arper

www.arper.com

info@arper.com

Catifa 53

Design by Lievore Altherr Molina, 2001

Accessories:



Set of glides Art. 2015



Armrests BV



Armrests CI - only pad

SHIPMENT DETAILS

Art.2060

1 pz = 2  - kg 11,7/ m³ 0,282
1 pz = 3  - kg 14,8/ m³ 0,311
4 pz = 2  - kg 36,2/ m³ 0,416
4 pz = 3  - kg 44,34/ m³ 0,452

RESISTANCE TEST

ENVIRONMENTAL CERTIFICATIONS



TECHNICAL SPECIFICATIONS

Art.2060

COL requirement m² 1.78
H 140 cm. COM Meterage m 1.21

FIRE RETARDANT TEST

arper

www.arper.com
info@arper.com

www.arper.com