

# Catifa 46 Bar Stool

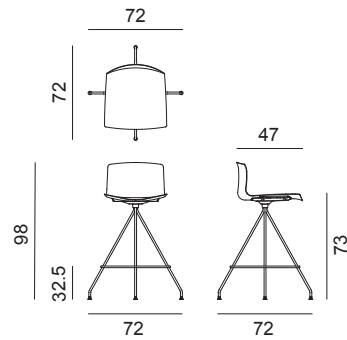
## Design by Lievore Altherr Molina, 2004

### Art. 0491

High stool on swivelling, chromed steel base. Low backrest oak-effect reconstituted veneer shell available in three finishes (natural oak, bleached oak, wengé). Seat height 73 cm. Backrest height 98 cm.



Dimensions \*



\* File CAD 2D - 3D available for download at [www.arper.com](http://www.arper.com)

Frame Base



CRO

Shell

Wood



L0020

L0021

L0022

arper

info@arper.com

www.arper.com

# Catifa 46 Bar Stool

## Design by Lievore Altherr Molina, 2004

---

Accessories:



Cushion Art. 0261





Set of glides Art. 2015

---

### SHIPMENT DETAILS

#### Art.0491

1 pz = 2  - kg 12,66/ m<sup>3</sup> 0,297

4 pz = 5  - kg 47,86/ m<sup>3</sup> 0,96

---

### RESISTANCE TEST

- TUV GS (EN16139)

---

### ENVIRONMENTAL CERTIFICATIONS



---

### TECHNICAL SPECIFICATIONS

#### Art.0491

\*Classe 1, 2, 1IM: fire retardant version available with surcharge and eventual minimum batch

---

### FIRE RETARDANT TEST

arper

www.arper.com  
info@arper.com

www.arper.com