

Catifa 53

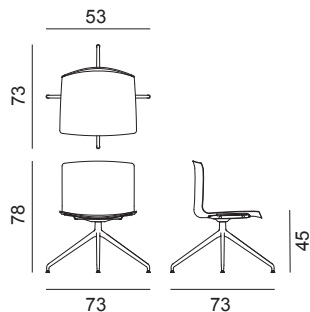
Design by Lievore Altherr Molina, 2001

Art. 2054

Chair with polished or powdercoated aluminium swivel trestle base. Matt polypropylene shell available in single colour or covered in hard leather without padding. Polypropylene and steel armrests, are available upon request.



Dimensions *



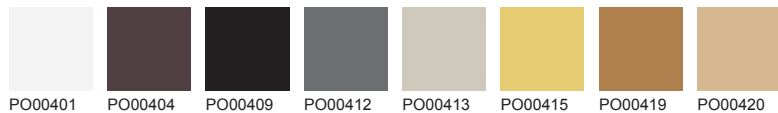
* File CAD 2D - 3D available for download at www.arper.com

Frame Base



Shell

Polypropylene



arper

www.arper.com

info@arper.com

Catifa 53

Design by Lievore Altherr Molina, 2001

Accessories:



Cushion Art. 0230



Cushion Art. 0231



Set of glides Art. 2015



Removable cover Art. 3116



Armrests BV



Armrests CV - pad (only for PO)

SHIPMENT DETAILS

Art.2054

- 1 pz = 2  - kg 10,7/ m³ 0,278
- 1 pz = 3  - kg 13,8/ m³ 0,307
- 4 pz = 2  - kg 31,8/ m³ 0,376
- 4 pz = 3  - kg 39,94/ m³ 0,412

RESISTANCE TEST

- EN 1728:2012 - EN 16139:2013 6.10
- EN 1728:2012 - EN 16139:2013 6.15
- EN 1728:2012 - EN 16139:2013 6.17
- EN 1728:2012 - EN 16139:2013 6.20
- EN 1728:2012 - EN 16139:2013 6.26
- EN 1728:2012 - EN 16139:2013 6.5

- EN 1728:2012 - EN 16139:2013 6.11
- EN 1728:2012 - EN 16139:2013 6.16
- EN 1728:2012 - EN 16139:2013 6.18
- EN 1728:2012 - EN 16139:2013 6.24
- EN 1728:2012 - EN 16139:2013 6.4

TECHNICAL SPECIFICATIONS

Art.2054

*Classe 1, 2, 1IM: fire retardant version available with surcharge and eventual minimum batch

FIRE RETARDANT TEST

Classe 1IM Omologazione Italia Divina MD Kvadrat Divina Melange 3 Kvadrat Divina 3 Kvadrat Coated fabric Valencia Spradling

arper

www.arper.com

info@arper.com