

Saya

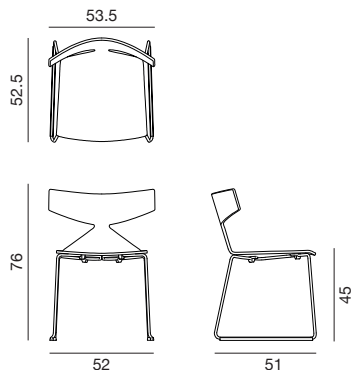
Design by Lievore Altherr Molina, 2012

Art. 3702

Chair with chromed or powdercoated steel sled base and oak veneer shell, available in 4 finishes. Optional glides with felt for wooden floors are available upon request.

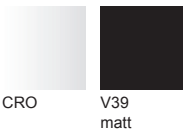


Dimensions *



* File CAD 2D - 3D available for download at www.arper.com

Frame Base



Shell

Wood



L0001 L0006 L0022 L0023

– without tools up to 10 units

arper

info@arper.com


www.arper.com


Saya

Design by Lievore Altherr Molina, 2012

SHIPMENT DETAILS

Art.3702

1 pz = 2  - kg 11,66/ m² 0,3

4 pz = 2  - kg 32,22/ m² 0,41

TECHNICAL SPECIFICATIONS

RESISTANCE TEST

- EN 1728:2012 - EN 16139:2013 6.15
- EN 1728:2012 - EN 16139:2013 6.17
- EN 1728:2012 - EN 16139:2013 6.24
- EN 1728:2012 - EN 16139:2013 6.4

- EN 1728:2012 - EN 16139:2013 6.16
- EN 1728:2012 - EN 16139:2013 6.18
- EN 1728:2012 - EN 16139:2013 6.25
- EN 1728:2012 - EN 16139:2013 6.5

FIRE RETARDANT TEST

arper

www.arper.com
info@arper.com

www.arper.com