

Ply Bar Stool

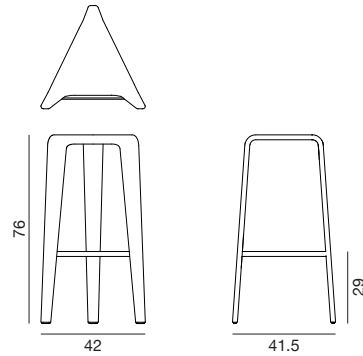
Design by Lievore Altherr Molina, 2013

Art. 3802

Bar stool with oak veneer three-leg base and chromed steel footrest. It is available in natural oak and black finishes and provided with glides with felt insert for wood floors. Seat height 76 cm.



Dimensions *



* File CAD 2D - 3D available for download at www.arper.com

Frame Base



Shell

arper

www.arper.com


info@arper.com

Ply Bar Stool

Design by Lievore Altherr Molina, 2013

SHIPMENT DETAILS

Art.3802

1 pz = 1  - kg 5,44/ m³ 0,172

RESISTANCE TEST

- EN 1728:2012 - EN 16139:2013 6.15
- EN 1728:2012 - EN 16139:2013 6.17
- EN 1728:2012 - EN 16139:2013 6.21
- EN 1728:2012 - EN 16139:2013 6.25
- EN 1728:2012 - EN 16139:2013 6.5
- EN 1728:2012 - EN 16139:2013 6.9
- EN 1728:2012 - EN 16139:2013 6.16
- EN 1728:2012 - EN 16139:2013 6.18
- EN 1728:2012 - EN 16139:2013 6.24
- EN 1728:2012 - EN 16139:2013 6.4
- EN 1728:2012 - EN 16139:2013 6.8
- EN 1022:05

ENVIRONMENTAL CERTIFICATIONS

TECHNICAL SPECIFICATIONS

FIRE RETARDANT TEST

arper

www.arper.com
info@arper.com

www.arper.com