

Catifa 60 Lounge

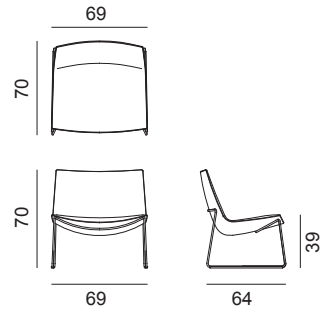
Design by Lievore Altherr Molina, 2008

Art. 2141

Lounge armchair with chromed or powdercoated steel sled base and low backrest. The polyurethane shell is upholstered in leather, coated fabric, fabric or customer's material. Glides for wooden floors available upon request.

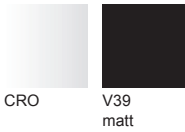


Dimensions *



* File CAD 2D - 3D available for download at www.arper.com

Frame Base



arper

www.arper.com

info@arper.com

Catifa 60 Lounge


Design by Lievore Altherr Molina, 2008

SHIPMENT DETAILS

Art.2141

1 pz = 1  - kg / m³

1 pz = 1  - kg 13,088/ m³

1 pz = 1  - kg 25,96/ m³ 0,508

TECHNICAL SPECIFICATIONS

Art.2141

COL requirement m² 2.76

H 140 cm. COM Meterage m 1.82

RESISTANCE TEST

FIRE RETARDANT TEST

ENVIRONMENTAL CERTIFICATIONS



arper

www.arper.com

info@arper.com