

Aston

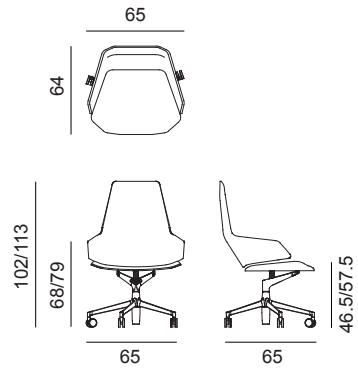
Design by Jean-Marie Massaud, 2007

Art. 1927

Armchair with aluminium five-star base mounted on self-braking castors, equipped with gas height adjustment mechanism. The shell support and the spring providing tilt movement are available in the same finishes of the base. The polyurethane shell is upholstered in leather, coated fabric, fabric, or customer's material.

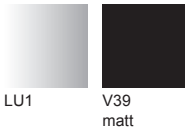


Dimensions *



* File CAD 2D - 3D available for download at www.arper.com

Frame Base



arper

www.arper.com


info@arper.com


Aston

Design by Jean-Marie Massaud, 2007

SHIPMENT DETAILS

Art. 1927

1 pz = 1  - kg 18,237/ m³

1 pz = 1  - kg 28/ m³ 0,715

TECHNICAL SPECIFICATIONS

Art. 1927

COL requirement m² 4.08

H 140 cm. COM Meterage m 1.88

RESISTANCE TEST

FIRE RETARDANT TEST

ENVIRONMENTAL CERTIFICATIONS



arper

www.arper.com

info@arper.com