

Saari

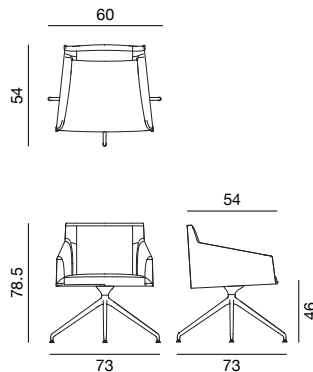
Design by Lievore Altherr Molina, 2009

Art. 2705

Armchair with polished or powder-coated aluminium swivel trestle base. Plywood shell is upholstered in leather, coated fabric, fabric or customer's own fabric.

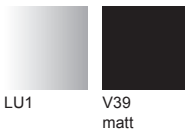


Dimensions *



* File CAD 2D - 3D available for download at www.arper.com

Frame Base



Shell

arper

www.arper.com

info@arper.com

Saari


Design by Lievore Altherr Molina, 2009

Accessories:

Set of glides Art. 2015

SHIPMENT DETAILS

Art.2705

1 pz = 1  - kg 17,5/ m³ 0,352

RESISTANCE TEST

ENVIRONMENTAL CERTIFICATIONS



TECHNICAL SPECIFICATIONS

Art.2705

COL requirement m² 3.25

H 140 cm. COM Meterage m 1.82

FIRE RETARDANT TEST

arper

www.arper.com

info@arper.com