

# Catifa 46 Counter Stool

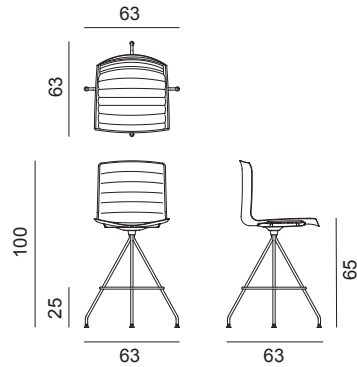
## Design by Lievore Altherr Molina, 2004

### Art. 0494

Low stool on swivelling, chromed steel base. The shell with high backrest is in polypropylene, upholstered in leather, coated fabric, fabric or customer's own material. Line detail stitching. Seat height 65 cm. Backrest height 100 cm.



### Dimensions \*



\* File CAD 2D - 3D available for download at [www.arper.com](http://www.arper.com)

### Frame Base



CRO

### Shell

### Carded In



### Graded In

**kvadrat**

**camira**

**Gabriel®**

arper

info@arper.com

www.arper.com

# Catifa 46 Counter Stool

## Design by Lievore Altherr Molina, 2004

---

### Accessories:




Set of glides Art. 2015

---

### SHIPMENT DETAILS

#### Art.0494

1 pz = 2  - kg 14,56/ m<sup>3</sup> 0,261

4 pz = 5  - kg 56,24/ m<sup>3</sup> 0,764

---

### RESISTANCE TEST

- EN 1728:2000 - EN 15373:2007 6.15
- EN 1728:2000 - EN 15373:2007 6.2.2
- EN 1728:2000 - EN 15373:2007 6.7
- TUV GS (EN16139)
- EN 1728:2000 - EN 15373:2007 6.2.1
- EN 1728:2000 - EN 15373:2007 6.4
- EN 15373:2007 A.2

---

### ENVIRONMENTAL CERTIFICATIONS



---

### TECHNICAL SPECIFICATIONS

#### Art.0494

COL requirement m<sup>2</sup> 1.67

H 140 cm. COM Meterage m 1.1

\*Classe 1, 2, 1IM: fire retardant version available with surcharge and eventual minimum batch

---

### FIRE RETARDANT TEST

arper

www.arper.com

info@arper.com