

Babar

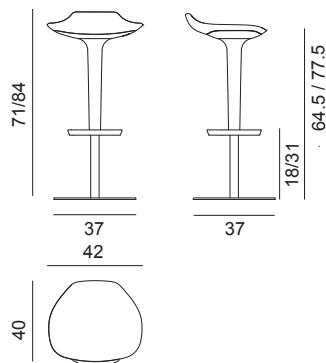
Design by Simon Pengelly, 2006

Art. 1755

Plastic stool with integral polyurethane seat, fitted with backrest. A version with cushion upholstered in leather, coated fabric, fabric or customer's material is also available. Height adjustable or with fixed height between 64.5-77.5 cm upon request. Brushed or chromed stainless steel base. Steam available in 2 different colours.

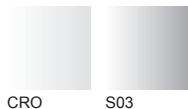


Dimensions *



* File CAD 2D - 3D available for download at www.arper.com

Frame Base



Shell

arper

www.arper.com

info@arper.com

Babar

Design by Simon Pengelly, 2006

Accessories:




Cushion Art. 1765



Cushion Art. 1766

SHIPMENT DETAILS

Art.1755

1 pz = 1  - kg 15,12/ m² 0,176

RESISTANCE TEST

- EN 1728:2000 - EN 15373:2007 6.15
- EN 1728:2000 - EN 15373:2007 6.2.1
- EN 1728:2000 - EN 15373:2007 6.4
- EN 1728:2000 - EN 15373:2007 6.8
- EN 1728:2012 - EN 16139:2013 6.18
- EN 1728:2012 - EN 16139:2013 6.21
- EN 1022:05
- EN 1728:2012 - EN 16139:2013 6. 9
- EN 1728:2000 - EN 15373:2007 6.16
- EN 1728:2000 - EN 15373:2007 6.2.2
- EN 1728:2000 - EN 15373:2007 6.7
- EN 1728:2012 - EN 16139:2013 6.17
- EN 1728:2012 - EN 16139:2013 6.18
- EN 1728:2012 - EN 16139:2013 6.5
- EN 1728:2012 - EN 16139:2013 6. 8

TECHNICAL SPECIFICATIONS

FIRE RETARDANT TEST

ENVIRONMENTAL CERTIFICATIONS



arper

www.arper.com
info@arper.com