

# Cila

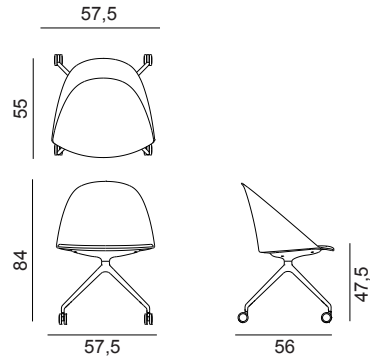
Design by Lievore Altherr, 2017

## Art. 2219

Chair with polished or powder-coated aluminium fixed trestle base, mounted on self-braking castors. Shell fully upholstered in leather, coated fabric, fabric or customer's own material.



### Dimensions \*



\* File CAD 2D - 3D available for download at [www.arper.com](http://www.arper.com)

### Frame Base



arper

# Cila


Design by Lievore Altherr, 2017


---

---

## SHIPMENT DETAILS

### Art.2219

1 pz = 2  - kg 14,9/ m<sup>3</sup> 0,333

4 pz = 2  - kg 45,63/ m<sup>3</sup> 0,501

---

## TECHNICAL SPECIFICATIONS

Art.2219

COL requirement m<sup>2</sup> 3

H 140 cm. COM Meterage m 1.31

\*Classe 1, 2, 1IM: fire retardant  
version available with surcharge  
and eventual minimum batch

---

## FIRE RETARDANT TEST

---

## ENVIRONMENTAL CERTIFICATIONS



# Cila

Design by Lievore Altherr, 2017

---

## GLIDES

### STANDARD



Hard floor



Hard floor



Hard floor