

Catifa 46

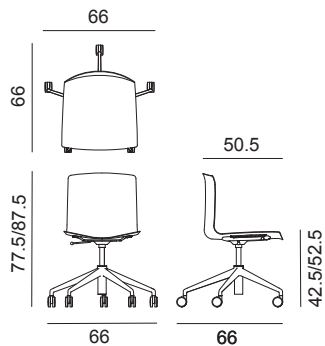
Design by Lievore Altherr Molina, 2004

Art. 0380

Chair with polished or powdercoated aluminum five-star swivel trestle base, mounted on selfbraking castors (color matching with base) and fitted with gas height adjustment mechanism. The shell is available in single-colour polypropylene, bi-colour polypropylene or upholstered in hard leather without padding. Polypropylene and steel armrests, also upholstered, are available upon request.



Dimensions *



* File CAD 2D - 3D available for download at www.arper.com

Frame Base



Shell

Polypropylene



arper

www.arper.com

info@arper.com

Catifa 46

Design by Lievore Altherr Molina, 2004

Accessories:



Cushion Art. 0261

Cover Art. 0309



Armrests BV



Armrests CV - pad (only for PO)

SHIPMENT DETAILS

Art.0380

- 1 pz = 2  - kg 11,6/ m³ 0,304
- 1 pz = 3  - kg 13,98/ m³ 0,333
- 4 pz = 5  - kg 43,6/ m³ 0,968
- 4 pz = 6  - kg 51,76/ m³ 1,004

RESISTANCE TEST

- EN 1728:2012 - EN 16139:2013 6.17
- EN 1728:2012 - EN 16139:2013 6.24
- EN 1728:2012 - EN 16139:2013 6.5

- EN 1728:2012 - EN 16139:2013 6.18
- EN 1728:2012 - EN 16139:2013 6.4
- TUV GS (EN16139)

TECHNICAL SPECIFICATIONS

Art.0380

*Classe 1, 2, 11M: fire retardant version available with surcharge and eventual minimum batch

FIRE RETARDANT TEST

Classe 1 Omologazione Italia Polipropilene • M2 Polipropilene

arper

www.arper.com

info@arper.com