

CONI BACHMANN POWER AND DATA UNIT



arper

The Bachmann Coni connection panel provides access to power, media and data, suitable for use in meeting rooms or workstations. It is equipped with two power sockets and two USB ports.

Made of sheet steel, with plastic and aluminium sockets, once closed the Coni system blends seamlessly into the tabletop. The integrated brush insert ensures perfect cable management.

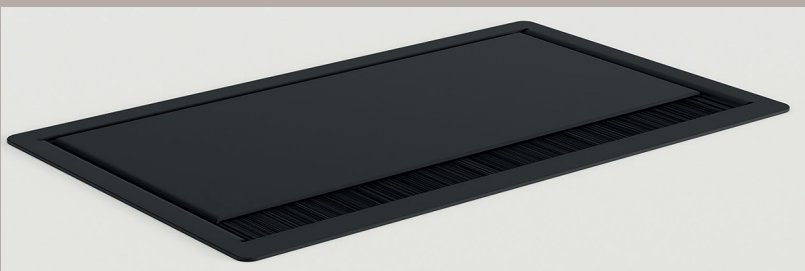
Thanks to its small dimensions, the sturdy frame and the availability of multiple sockets, this is the ideal technical support for offices, libraries, universities and boardrooms.

The system is equipped to be linked to smartphones, tablets, and notebooks.



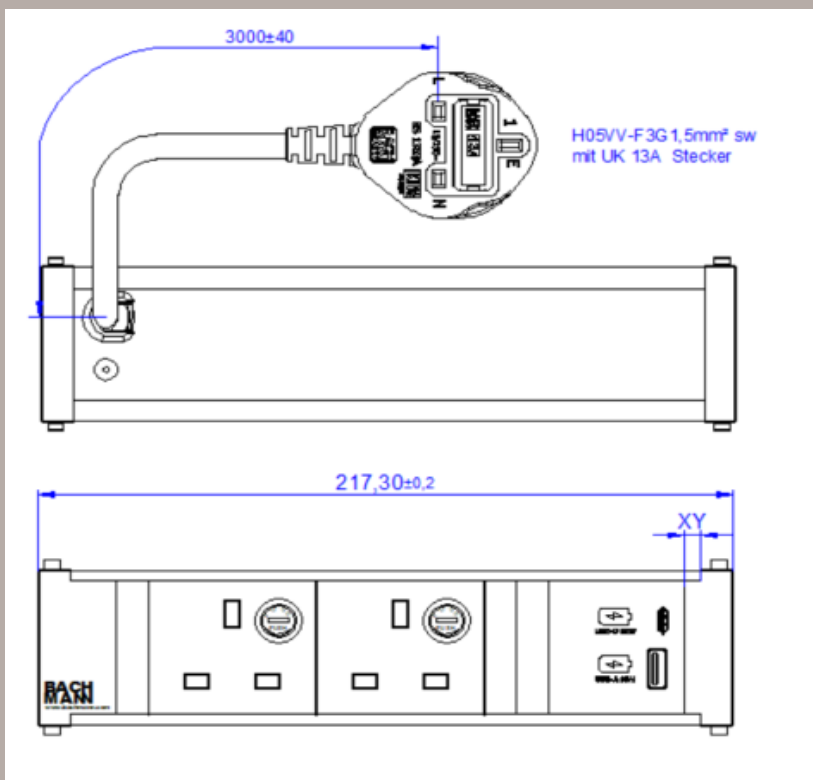
Structure

Single direction version



Elements: 2 power sockets and 2 USB ports (1 USB A + 1 USB C).

Technical drawing



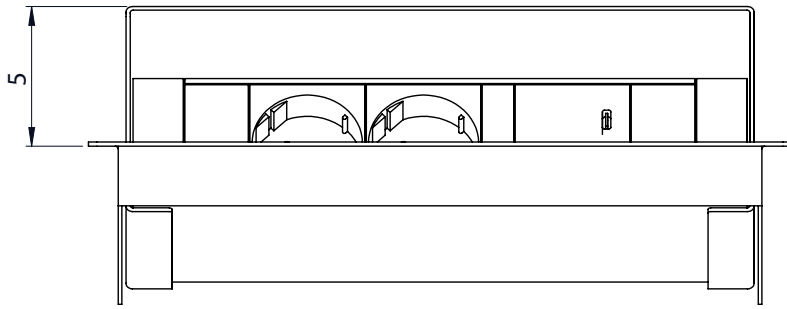
Technical characteristics

Electrical power supply	250 V~ 50/60 Hz)
USB electrical consumption	USB A 18W, USB C 22W
Maximum total current	10 A (Type and K); 13 A (Type G); 15 A (Type B) 16 A (Type E, J, L/F)
Electric sockets (n. x type/max. load)	2 x (250 V) / 16 A
USB ports	1xUSB A: 5V, 3.0A, 18W - 1xUSB C: 5V, 3.0A, 22W
Materials	Mobile unit: steel
	Fixed unit: alluminium and steel
	Sockets: plastic
	USB: plastic and steel
Compatibility	-
Environment	Working temperature: 0°C - 40°C
Water resistance rating	IP22
Power cable	Schuko, UK, DK 3 x 1.5 mm ² (15 AWG)
	USA 2 x 1.5 mm ² (15 AWG)
	CH 3 x 1.1 mm ² (17 AWG)
Tower connection cable	2 x 1.5 mm ² (15 AWG - USA convert)
Protection fuse	5 x 20 time-delay - 250 V AC – 3.15 A

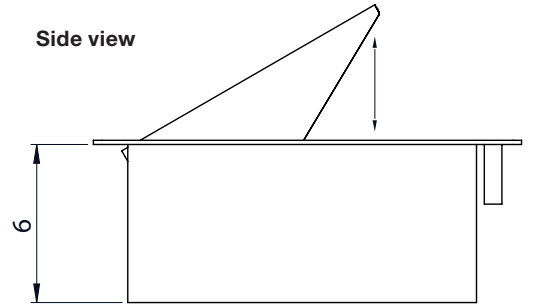


Technical specifications

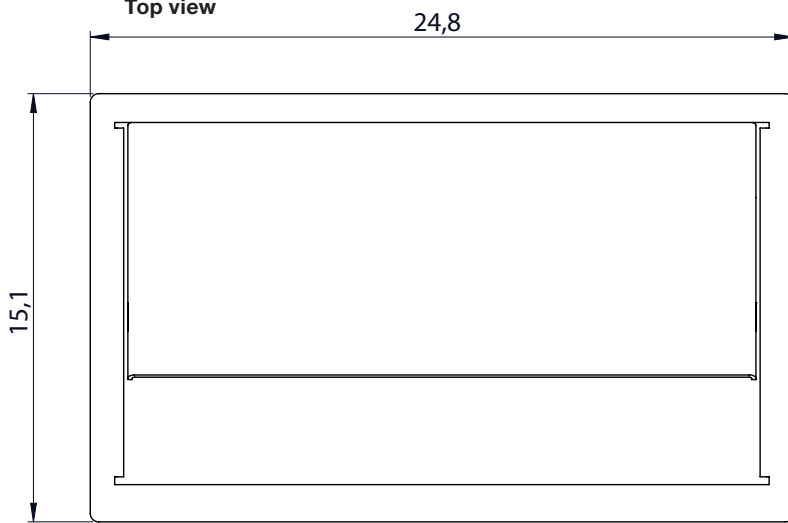
Frontal view



Side view



Top view



Socket just available



1

1 SCHUKO EUROPE
Type L/F socket



2

2 USA
Type B socket



3

3 UK
Type G socket



4

4 DENMARK
Type K socket



5

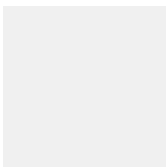
5 FRANCE
Type E socket



6

6 SWITZERLAND
Type J socket

Finishes



RAL 9003



RAL 9005

The Socket tower is available in two colours: white RAL 9003 and black RAL 9005 colour.

- Black power supply cable.
- Black cable to connect the towers (for tops with maximum 2 or 3 towers).

- Customers will receive the frame and the cable duct to be assembled on site.

Technical specifications

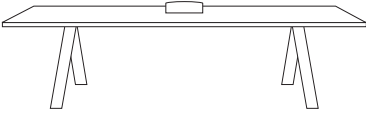
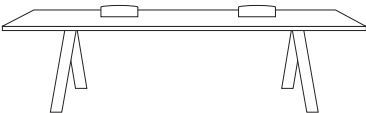
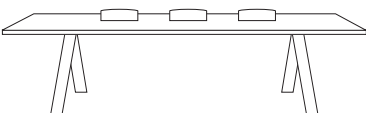
Please find below a list matching countries/sockets

Europe	 <p>Type F socket</p>
USA	 <p>Type B socket</p>
UK	 <p>Type G socket</p>
Denmark	 <p>Type K socket</p>
France	 <p>Type E socket</p>
Switzerland	 <p>Type J socket</p>

Notes to match socket tower/cables

– Europe (Schuko)	Type F socket	EU power supply cable
– USA	Type B socket	US power supply cable
– UK	Type G socket	UK power supply cable
– Denmark	Type K socket	DK power supply cable
– France	Type E socket	EU power supply cable
– Switzerland	Type J socket	CH power supply cable

Assembly kit

– Table with 1 socket tower 	1 tower + 1 electric cable
– Table with 2 socket towers 	2 towers + 1 electric cable + 1 cable connect + 1 T connector
– Table with 3 socket towers 	3 towers + 1 electric cable + 2 cable connect + 1 T connector

The tool is prepared to be used in series.
All of the devices can be connected each other using the sockets connection cable.

For safety reasons you cannot connect more than 3 socket towers.

Certificates

– Marking CE self-certification required in the EU countries

– Marking DEKRA self-certification required in the UK

Italy

Monastier (TV) — Headquarters and showroom
Arper SPA
Via Lombardia 16
31050 Monastier di Treviso (TV)
T +39 0422 7918
info@arper.com
www.arper.com

Commerciale Italia
T +39 0422 791905
commerciale@arper.com

Export Office
sales@arper.com

Milan — Showroom
Via Pantano 30
20122 Milan
T +39 02 89093865
milano@arper.com

EUROPE

UK

London — Subsidiary and showroom
Arper UK LTD
11 Clerkenwell Road
London EC1M 5PA
T +44 (0) 20 7253 0009
london@arper.com

Germany

Cologne — Showroom
Design Post Köln
Deutz-Mülheimer-Str. 22a
50679 Köln
T +49 221 690 650
info@designpost.de

Fruchtof München — Meeting Hub
2. Innenhof, 2. Etage
Gotzinger Straße 52b
D-81371 München
T +49 171 1080976
muenchen@arper.com

Norway

Oslo — Showroom
Drammensveien 130
0277 Oslo
T +47 908 202226
norway@arper.com

Sweden

Stockholm — Branch
T +46 705 101216
sweden@arper.com

The Netherlands

Amsterdam — Showroom
Design Post
Cruquiusweg 111-L
1019 AG Amsterdam
T +31 (0)20 705 1555
holland@arper.com

AMERICA

USA

New York — Subsidiary and showroom
Arper USA Inc.
476 Broadway, Suite 2F
NY 10013 New York
T +1 (212) 647 8900
infousa@arper.com

Chicago — Showroom
The Merchandise Mart
Space#346 - 3rd Floor
Chicago
T +1 (336) 434 2366
infousa@arper.com

High Point, North Carolina — Production and logistics site
660 Southwest St
High Point, NC 27260
T +1 (336) 434 2370
infousa@arper.com

Los Angeles — Showroom
550 South Hope St., Suite 275
90071 Los Angeles
T +1 (336) 434 2382
infousa@arper.com

Mexico

Mexico City — Subsidiary and showroom
Culliacan 123, Piso 9
Col. Hipodromo Condesa
Delegation Cuauhtémoc
06170 – Ciudad de México
Mexico
T +52 1 62714417
infolatam@arper.com

ASIA

Japan

Arper Japan K.K. — Subsidiary and showroom
HT Jingu Gaien Bldg.8F
Minato-ku Kita-Aoyama 2-7-22
Tokyo 107-0061
T +81 3 5775 0008
carejpn@arper.com

China

Shanghai — Subsidiary
爱尔派（上海）家具设计有限公司
2nd Floor, Unit N204-207,
Building N1,
The Bund Finance Center,
558 Zhongshan NO.2 Road(E),
Shanghai
T +86 021 5466 7366
china@arper.com

Singapore

Singapore — Branch
c/o 3 Lim Teck Kim Road, #01-01
Genting Centre
088934 Singapore
singapore@arper.com

UAE

Arper Middle East and India
— Subsidiary
and showroom
U-Bora Towers - Unit 1901
Business Bay
Dubai
T +971 529255633
infome@arper.com