

# Catifa 46

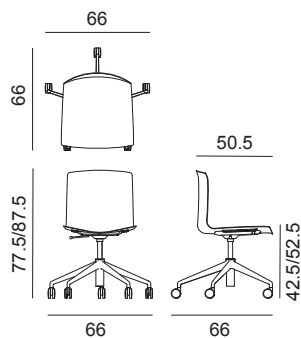
Design by Lievore Altherr Molina, 2004

## Art. 0352

Chair with polished or powder-coated aluminium five-way swivel trestle base, mounted on selfbraking castors (colour matching with base) and fitted with gas height adjustment mechanism. Oak-effect reconstituted veneer shell available in three finishes (natural oak, bleached oak, wengé). Steel armrests are available upon request.

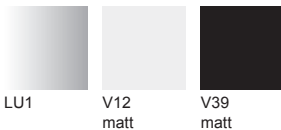


Dimensions \*



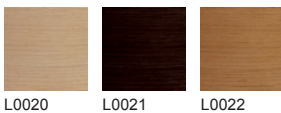
\* File CAD 2D - 3D available for download at [www.arper.com](http://www.arper.com)

Frame Base



Shell

Wood



arper

info@arper.com

www.arper.com

# Catifa 46

Design by Lievore Altherr Molina, 2004

---

Accessories:



Cushion Art. 0261



Armrests BV

---

## SHIPMENT DETAILS

### Art.0352

1 pz = 2  - kg 11,08/ m<sup>3</sup> 0,302  
1 pz = 3  - kg 13,46/ m<sup>3</sup> 0,331  
4 pz = 5  - kg 41,52/ m<sup>3</sup> 0,98  
4 pz = 6  - kg 49,64/ m<sup>3</sup> 1,016

---

## RESISTANCE TEST

- TUV GS (EN16139)

---

## ENVIRONMENTAL CERTIFICATIONS



---

## TECHNICAL SPECIFICATIONS

Art.0352

\*Classe 1, 2, 11M: fire retardant version available with surcharge and eventual minimum batch

---

## FIRE RETARDANT TEST

Classe 11M Omologazione Italia Remix 3 Kvadrat

arper

www.arper.com

info@arper.com