

Adell

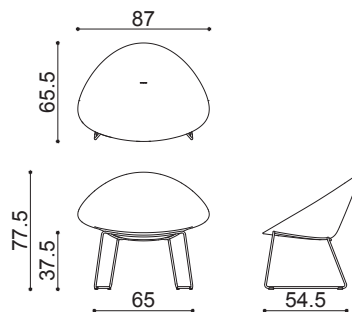
Design by Lievore + Altherr Désile Park, 2020

Art. 6803

Lounge chair with powder-coated steel sled base. Polypropylene shell with distinctive texture made with 80% recycled materials, available in four colours. Hole on shell to allow water drainage.



Dimensions *



* File CAD 2D - 3D available for download at www.arper.com

Frame Base



V44
matt

V53
matt

V64
matt

Shell

arper

www.arper.com

info@arper.com

Adell

Design by Lievore + Altherr Désile Park, 2020

Accessories:

Cushion - Indoor Art. 6809


Cushion - Outdoor Art. 6810


Front removable cushion -
Indoor Art. 6811

Front removable cushion -
Outdoor Art. 6812

SHIPMENT DETAILS

Art.6803

1 pz = 2  - kg 14,3/ m³ 0,501

4 pz = 2  - kg 40,4/ m³ 0,793

RESISTANCE TEST

- EN 1728:2012 - EN 16139:2013 6.10
- EN 1728:2012 - EN 16139:2013 6.15
- EN 1728:2012 - EN 16139:2013 6.17
- EN 1728:2012 - EN 16139:2013 6.20
- EN 1728:2012 - EN 16139:2013 6.25
- EN 1728:2012 - EN 16139:2013 6.4
- EN 1022:2018
- EN 1728:2012 - EN 16139:2013 6.11
- EN 1728:2012 - EN 16139:2013 6.16
- EN 1728:2012 - EN 16139:2013 6.18
- EN 1728:2012 - EN 16139:2013 6.24
- EN 1728:2012 - EN 16139:2013 6.26
- EN 1728:2012 - EN 16139:2013 6.5

TECHNICAL SPECIFICATIONS

FIRE RETARDANT TEST

ENVIRONMENTAL CERTIFICATIONS



arper

www.arper.com
info@arper.com