

Catifa 46

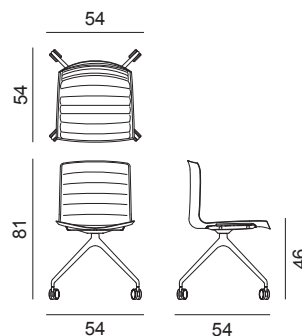
Design by Lievore Altherr Molina, 2013

Art. 0317

Chair with polished or powder-coated aluminium fixed trestle base, mounted on self-braking castors (color matching with base). The white polypropylene shell (PO101) is upholstered with a removable non-washable cover in leather, coated fabric, fabric or customer's own material. The cover stitching comes in the same color as the upholstery. Stitching on cover 1 and 3 comes in white or black, to customer's choice. The chair is provided already fitted with the cover. Steel armrests are available upon request.



Dimensions *



* File CAD 2D - 3D available for download at www.arper.com

Frame Base



Shell



arper

info@arper.com

www.arper.com

Catifa 46

Design by Lievore Altherr Molina, 2013



Armrests BV

SHIPMENT DETAILS

Art.0317

- 1 pz = 2  - kg 11,5/ m³ 0,273
- 1 pz = 3  - kg 13,88/ m³ 0,302
- 4 pz = 2  - kg 36,8/ m³ 0,396
- 4 pz = 3  - kg 44,94/ m³ 0,432

RESISTANCE TEST

- TUV GS (EN16139)

ENVIRONMENTAL CERTIFICATIONS



TECHNICAL SPECIFICATIONS

Art.0317

COL requirement m² 1.97
H 140 cm. COM Meterage m 1.08
*Classe 1, 2, 1IM: fire retardant version available with surcharge and eventual minimum batch

FIRE RETARDANT TEST

Classe 1IM Omologazione Italia Divina MD Kvadrat Divina Melange 3 Kvadrat Divina 3 Kvadrat Elmosoft Field Kvadrat Hallingdal 65 Kvadrat Revive 1 Kvadrat Remix 3 Kvadrat Coated fabric Valencia Spradling

arper

www.arper.com
info@arper.com

www.arper.com