

Catifa 46

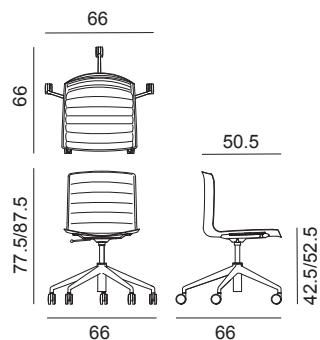
Design by Lievore Altherr Molina, 2013

Art. 0319

Chair with polished or powder-coated aluminum five-star swivel trestle base, mounted on selfbraking castors (color matching with base) and fitted with gas height adjustment mechanism. The white polypropylene shell (PO101) is upholstered with a removable non-washable cover in leather, coated fabric, fabric or customer's own material. The cover stitching comes in the same color as the upholstery. Stitching on cover 1 and 3 comes in white or black, to customer's choice. The chair is provided already fitted with the cover. Steel armrests are available upon request.

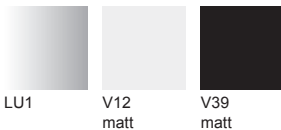


Dimensions *



* File CAD 2D - 3D available for download at www.arper.com

Frame Base



Shell



arper

info@arper.com

www.arper.com

Catifa 46


Design by Lievore Altherr Molina, 2013



Armrests BV

SHIPMENT DETAILS

Art.0319

- 1 pz = 2  - kg 12,9/ m³ 0,326
- 1 pz = 3  - kg 15,28/ m³ 0,355
- 4 pz = 5  - kg 49,6/ m³ 1,004
- 4 pz = 6  - kg 57,76/ m³ 1,06

RESISTANCE TEST

- TUV GS (EN16139)

ENVIRONMENTAL CERTIFICATIONS



TECHNICAL SPECIFICATIONS

Art.0319

COL requirement m² 1.97
H 140 cm. COM Meterage m 1.08
*Classe 1, 2, 1IM: fire retardant version available with surcharge and eventual minimum batch

FIRE RETARDANT TEST

Classe 1IM Omologazione Italia Divina MD Kvadrat Divina Melange 3 Kvadrat Divina 3 Kvadrat Elmosoft Field Kvadrat Revive 1 Kvadrat Steelcut Trio 3 Kvadrat Coated fabric Valencia Spradling

arper

www.arper.com
info@arper.com

www.arper.com