

# Saari

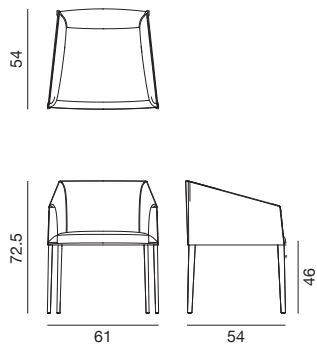
Design by Lievore Altherr Molina, 2009

## Art. 2703

Armchair with four-leg steel base available polished or powder-coated, or with oak-effect reconstituted veneer base. Frame in metal and plywood is upholstered in leather, coated fabric, fabric or customer's material. Also available with castors.

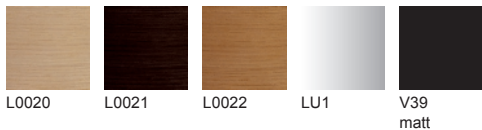


Dimensions \*



\* File CAD 2D - 3D available for download at [www.arper.com](http://www.arper.com)

Frame Base



Shell

arper

www.arper.com

info@arper.com

# Saari


## Design by Lievore Altherr Molina, 2009

---

---

### SHIPMENT DETAILS

**Art.2703**

1 pz = 1  - kg 13,5/ m³ 0,363

---

### RESISTANCE TEST

---

### TECHNICAL SPECIFICATIONS

Art.2703

COL requirement m² 3,25

H 140 cm. COM Meterage m 1,79

---

### FIRE RETARDANT TEST

---

### ENVIRONMENTAL CERTIFICATIONS



arper

www.arper.com  
info@arper.com