

Saari

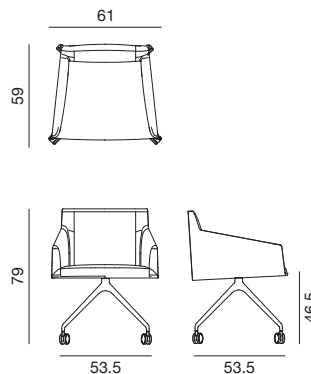
Design by Lievore Altherr Molina, 2009

Art. 2708

Armchair with polished or powder-coated aluminium fixed trestle base mounted on self-braking castors. Plywood shell upholstered in leather, coated fabric, fabric or customer's own fabric.

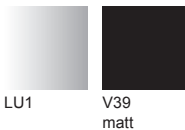


Dimensions *



* File CAD 2D - 3D available for download at www.arper.com

Frame Base



Shell

arper

www.arper.com


info@arper.com

Saari

Design by Lievore Altherr Molina, 2009

SHIPMENT DETAILS

Art.2708

1 pz = 1  - kg 17,5/ m³ 0,393

RESISTANCE TEST

TECHNICAL SPECIFICATIONS

Art.2708

COL requirement m² 3.25

H 140 cm. COM Meterage m 1.82

FIRE RETARDANT TEST

ENVIRONMENTAL CERTIFICATIONS



arper

www.arper.com
info@arper.com