

Saya Bar Stool

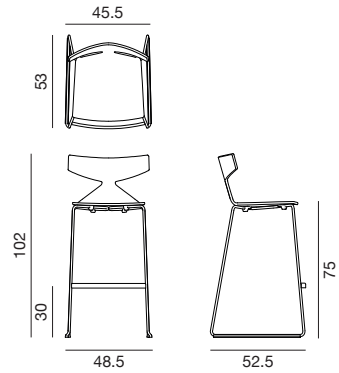
Design by Lievore Altherr Molina, 2012

Art. 3704

Bar stool with chromed or powdercoated steel sled base and oak veneer shell, available in 4 finishes. Optional glides with felt for wooden floors are available upon request. Height 75 cm.



Dimensions *



* File CAD 2D - 3D available for download at www.arper.com

Frame Base



Shell

Wood



– without tools up to 10 units

arper

info@arper.com


www.arper.com


Saya Bar Stool

Design by Lievore Altherr Molina, 2012

SHIPMENT DETAILS

Art.3704

1 pz = 2  - kg 11,22/ m³ 0,42

4 pz = 2  - kg 33,34/ m³ 0,47

TECHNICAL SPECIFICATIONS

RESISTANCE TEST

- EN 1728:2012 - EN 16139:2013 6.15
- EN 1728:2012 - EN 16139:2013 6.17
- EN 1728:2012 - EN 16139:2013 6.21
- EN 1728:2012 - EN 16139:2013 6.25
- EN 1728:2012 - EN 16139:2013 6.5
- EN 1728:2012 - EN 16139:2013 6.9

- EN 1728:2012 - EN 16139:2013 6.16
- EN 1728:2012 - EN 16139:2013 6.18
- EN 1728:2012 - EN 16139:2013 6.24
- EN 1728:2012 - EN 16139:2013 6.4
- EN 1728:2012 - EN 16139:2013 6.8

FIRE RETARDANT TEST

arper

www.arper.com
info@arper.com

www.arper.com