

Catifa 53

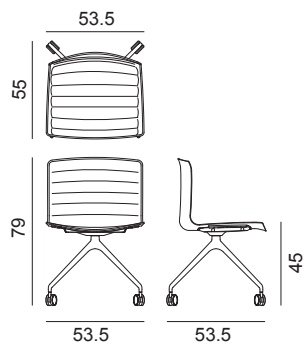
Design by Lievore Altherr Molina, 2001

Art. 2061

Chair with polished or powdercoated aluminium fixed trestle base, mounted on self-braking castors (color matching with base). The shell is upholstered in leather, coated fabric, fabric or customer's material. Line detail stitching. Steel armrests, also padded, are available upon request.



Dimensions *



* File CAD 2D - 3D available for download at www.arper.com

Frame Base



arper

www.arper.com

info@arper.com

Catifa 53

Design by Lievore Altherr Molina, 2001




Armrests BV





Armrests CI - only pad


SHIPMENT DETAILS

Art.2061

1 pz = 2  - kg 11,8/ m³ 0,288

1 pz = 3  - kg 14,18/ m³ 0,317

4 pz = 2  - kg 36,6/ m³ 0,42

4 pz = 3  - kg 44,74/ m³ 0,456

RESISTANCE TEST

ENVIRONMENTAL CERTIFICATIONS



TECHNICAL SPECIFICATIONS

Art.2061

COL requirement m² 1.78

H 140 cm. COM Meterage m 1.21

FIRE RETARDANT TEST

Classe 1IM Omologazione Italia Divina MD Kvadrat Divina Melange 3
Kvadrat Divina 3 Kvadrat Coated fabric Valencia Spradling

arper

www.arper.com
info@arper.com

www.arper.com