

Aston

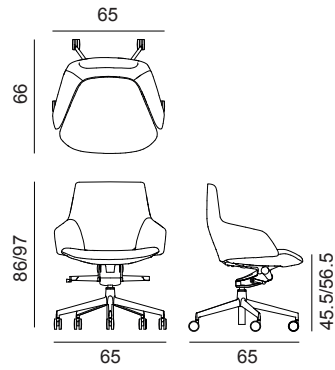
Design by Jean-Marie Massaud, 2015

Art. 1933

Armchair with aluminium five-star base mounted on self braking castors, equipped with gas height adjustment and synchro mechanism. The polyurethane shell is upholstered in leather, coated fabric, fabric or customer's material.

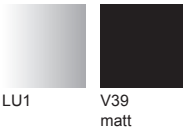


Dimensions *



* File CAD 2D - 3D available for download at www.arper.com

Frame Base



arper

www.arper.com

info@arper.com


Aston

Design by Jean-Marie Massaud, 2015

SHIPMENT DETAILS

Art.1933

1 pz = 1  - kg 13,58/ m³

1 pz = 1  - kg 28,5/ m³ 0,715

TECHNICAL SPECIFICATIONS

Art.1933

COL requirement m² 3.48

H 140 cm. COM Meterage m 1.62

RESISTANCE TEST

FIRE RETARDANT TEST

ENVIRONMENTAL CERTIFICATIONS

arper

www.arper.com
info@arper.com

www.arper.com