

# Catifa 46 Bar Stool

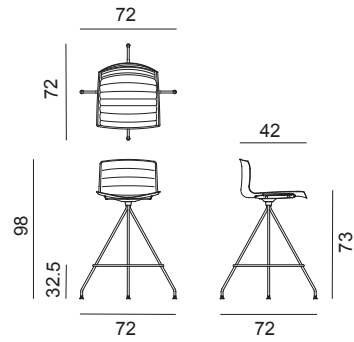
## Design by Lievore Altherr Molina, 2004

### Art. 0495

High stool on swivelling, chromed steel base. The shell with low backrest is in polypropylene, upholstered in leather, coated fabric, fabric or customer's own material. Line detail stitching. Seat height 73 cm. Backrest height 98 cm.



Dimensions \*



\* File CAD 2D - 3D available for download at [www.arper.com](http://www.arper.com)

Frame Base



CRO

Shell

arper

info@arper.com

www.arper.com

# Catifa 46 Bar Stool

## Design by Lievore Altherr Molina, 2004

---

Accessories:




Set of glides Art. 2015

---

### SHIPMENT DETAILS

#### Art.0495

1 pz = 2  - kg 13,96/ m<sup>3</sup> 0,288

4 pz = 5  - kg 53,54/ m<sup>3</sup> 0,964

---

### RESISTANCE TEST

- EN 1728:2012 - EN 16139:2013 6.21
- TUV GS (EN16139)

- EN 1728:2012 - EN 16139:2013 6.8

---

### ENVIRONMENTAL CERTIFICATIONS



---

### TECHNICAL SPECIFICATIONS

Art.0495

COL requirement m<sup>2</sup> 1.67

H 140 cm. COM Meterage m 0.99

\*Classe 1, 2, 1IM: fire retardant version available with surcharge and eventual minimum batch

---

### FIRE RETARDANT TEST

arper

www.arper.com

info@arper.com