

Catifa 46 Bar Stool

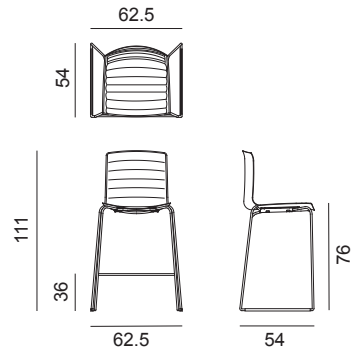
Design by Lievore Altherr Molina, 2004

Art. 0473

Stool with chromed or powdercoated steel sled base and polypropylene shell upholstered in leather, coated fabric, fabric or customer's own material. Line detail stitching. Seat height 76 cm. Optional glides with felt for wooden floors are available upon request.



Dimensions *



* File CAD 2D - 3D available for download at www.arper.com

Frame Base



Shell

- with stacking pad, without tools up to 8 units
- with stacking pad, with trolley up to 8 units
- leather / coated fabric: with stacking pad, without tools up to 5 units
- leather / coated fabric: with stacking pad, with trolley up to 5 units

arper

www.arper.com

info@arper.com

Catifa 46 Bar Stool

Design by Lievore Altherr Molina, 2004

Accessories:




Stacking protection pad Art. 0499




Trolley Art. 0760

SHIPMENT DETAILS

Art.0473

1 pz = 2  - kg 13/ m³ 0,371

4 pz = 2  - kg 45/ m³ 0,488

RESISTANCE TEST

- TUV GS (EN16139)

ENVIRONMENTAL CERTIFICATIONS



TECHNICAL SPECIFICATIONS

Art.0473

COL requirement m² 1.67

H 140 cm. COM Meterage m 1.1

*Classe 1, 2, 11M: fire retardant version available with surcharge and eventual minimum batch

FIRE RETARDANT TEST

Classe 11M Omologazione Italia Divina MD Kvadrat Divina Melange 3 Kvadrat Divina 3 Kvadrat Elmosoft Field Kvadrat Hallingdal 65 Kvadrat Revive 1 Kvadrat Remix 3 Kvadrat Coated fabric Valencia Spradling

arper

www.arper.com

info@arper.com