

# Adell

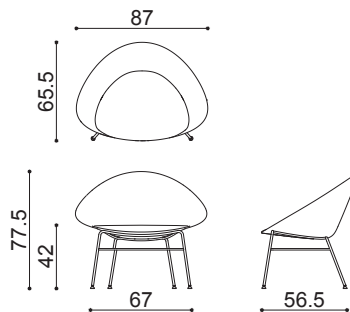
Design by Lievore + Altherr Désile Park, 2020

## Art. 6801

Lounge chair on a four-legged base in powder-coated steel. Polypropylene shell with distinctive texture made with 80% recycled materials, available in four colours, featuring a cushion attached to the seat covered with fabric, leather, coated fabric or a covering of the client's choice.



Dimensions \*



\* File CAD 2D - 3D available for download at [www.arper.com](http://www.arper.com)

Frame Base



V44  
matt

V53  
matt

V64  
matt

Shell

arper

www.arper.com

info@arper.com


# Adell


## Design by Lievore + Altherr Désile Park, 2020

---

### SHIPMENT DETAILS

**Art.6801**

1 pz = 2  - kg 15,5/ m³ 0,501

4 pz = 2  - kg 46/ m³ 0,887

### TECHNICAL SPECIFICATIONS

Art.6801

COL requirement m² 1.02

H 140 cm. COM Meterage m 0.69

### RESISTANCE TEST

### FIRE RETARDANT TEST

---

### ENVIRONMENTAL CERTIFICATIONS



arper

www.arper.com  
info@arper.com

www.arper.com