

Babar

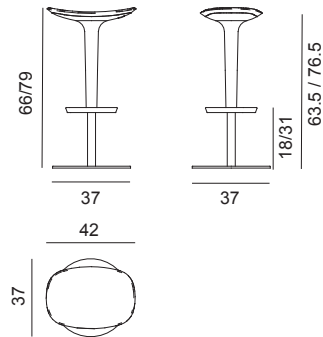
Design by Simon Pengelly, 2006

Art. 1753

Plastic stool with seat in integral polyurethane. A version with cushion upholstered in leather, coated fabric, fabric or customer's material is also available. Height-adjustable or with fixed height between 63.5-76.5 cm upon request. Brushed or chromed stainless steel base. Steam available in 2 different colours.



Dimensions *



* File CAD 2D - 3D available for download at www.arper.com

Frame Base



CRO S03

Shell

Carded In



Graded In

kvadrat

camira

Gabriel®

arper

info@arper.com

www.arper.com

Babar

Design by Simon Pengelly, 2006

Accessories:




Cushion Art. 1763



Cushion Art. 1764

SHIPMENT DETAILS

Art.1753

1 pz = 1  - kg 15,12/ m² 0,176

RESISTANCE TEST

- EN 1728:2000 - EN 15373:2007 6.15
- EN 1728:2000 - EN 15373:2007 6.2.1
- EN 1728:2000 - EN 15373:2007 6.4
- EN 1728:2000 - EN 15373:2007 6.8
- UNI 9084/2002
- EN 1728:2000 - EN 15373:2007 6.16
- EN 1728:2000 - EN 15373:2007 6.2.2
- EN 1728:2000 - EN 15373:2007 6.7
- EN 1022:05
- EN 15373:2007 A.5

ENVIRONMENTAL CERTIFICATIONS



TECHNICAL SPECIFICATIONS

Art.1753

COL requirement m² 0.456
H 140 cm. COM Meterage m 0.55

FIRE RETARDANT TEST

arper

www.arper.com
info@arper.com