

Saari

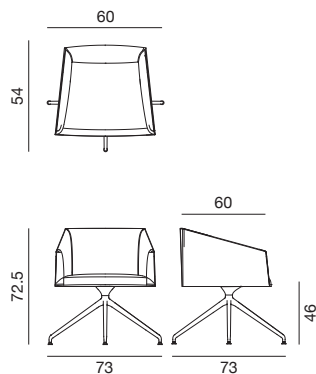
Design by Lievore Altherr Molina, 2009

Art. 2706

Tub armchair with polished or powder-coated aluminium swivel trestle base. Plywood shell upholstered in leather, coated fabric, fabric or customer's own fabric.



Dimensions *



* File CAD 2D - 3D available for download at www.arper.com

Frame Base



LU1



V39
matt

Shell

arper

www.arper.com

info@arper.com

Saari


Design by Lievore Altherr Molina, 2009

Accessories:

Set of glides Art. 2015

SHIPMENT DETAILS

Art.2706

1 pz = 1  - kg 18/ m³ 0,365

RESISTANCE TEST

ENVIRONMENTAL CERTIFICATIONS



TECHNICAL SPECIFICATIONS

Art.2706

COL requirement m² 3.25

H 140 cm. COM Meterage m 1.82

FIRE RETARDANT TEST

arper

www.arper.com
info@arper.com

www.arper.com