

Catifa 46

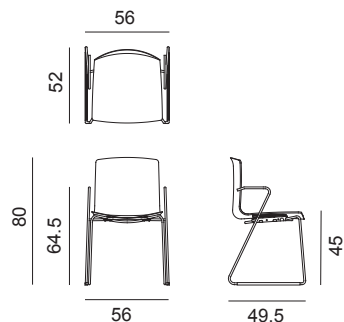
Design by Lievore Altherr Molina, 2004

Art. 0387

Chair with chromed steel sled base fitted with armrests. Oak-effect reconstituted veneer shell available in three finishes (natural oak, bleached oak, wengé). Optional glides with felt for wooden floors are available upon request.



Dimensions *



* File CAD 2D - 3D available for download at www.arper.com

Frame Base



CRO

Shell

Wood



L0020

L0021

L0022

- with stacking pad, without trolleys up to 10 units
- with stacking pad, with trolley up to 10 units
- with tablet: with stacking pad, without trolleys up to 5 units
- with tablet: with stacking pad, with trolley up to 5 units

arper

info@arper.com

www.arper.com

Catifa 46

Design by Lievore Altherr Molina, 2004

Accessories:



Link Art. 0258



Cushion Art. 0261



Writing tablet Art. 0264




Stacking protection glide Art. 0286




Trolley Art. 0760

SHIPMENT DETAILS

Art.0387

1 pz = 2  - kg 10,1/ m³ 0,295

4 pz = 2  - kg 33,6/ m³ 0,404

RESISTANCE TEST

- TUV GS (EN16139)

ENVIRONMENTAL CERTIFICATIONS



TECHNICAL SPECIFICATIONS

Art.0387

*Classe 1, 2, 11M: fire retardant version available with surcharge and eventual minimum batch

FIRE RETARDANT TEST

Classe 1M Omologazione Italia Divina MD Kvadrat Divina Melange 3 Kvadrat Divina 3 Kvadrat Elmosoft Field Kvadrat Revive 1 Kvadrat Steelcut Trio 3 Kvadrat Coated fabric Valencia Spradling

arper

www.arper.com

info@arper.com