

Catifa 53

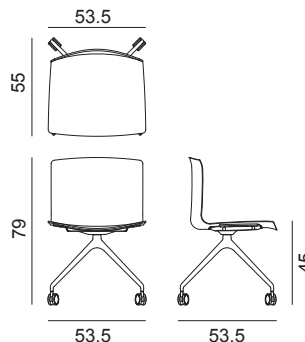
Design by Lievore Altherr Molina, 2001

Art. 2057

Chair with polished or powder-coated aluminium fixed trestle base, mounted on self-braking castors (color matching with base). Matt polypropylene shell with front upholstery in leather, coated fabric, fabric or customer's material upholstery applied to the seat surface. Steel armrests, also padded, are available upon request.



Dimensions *



* File CAD 2D - 3D available for download at www.arper.com

Frame Base



arper

Shell

Polypropylene



Carded In



Graded In

kvadrat

camira

Gabriel®

www.arper.com
info@arper.com

Catifa 53

Design by Lievore Altherr Molina, 2001




Armrests BV



Armrests CI - only pad

SHIPMENT DETAILS

Art.2057

1 pz = 2  - kg 12,7/ m³ 0,288
1 pz = 3  - kg 15,08/ m³ 0,317
4 pz = 2  - kg 40,2/ m³ 0,42
4 pz = 3  - kg 48,34/ m³ 0,456

TECHNICAL SPECIFICATIONS

Art.2057

COL requirement m² 1
H 140 cm. COM Meterage m 0.72

RESISTANCE TEST

FIRE RETARDANT TEST

ENVIRONMENTAL CERTIFICATIONS



arper

www.arper.com
info@arper.com

www.arper.com