

Catifa 46 Bar Stool

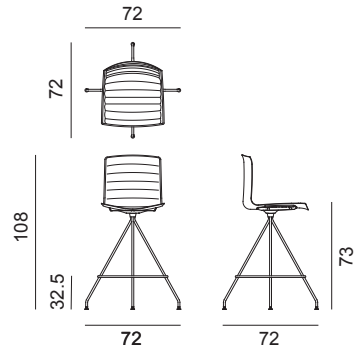
Design by Lievore Altherr Molina, 2004

Art. 0493

High stool on swivelling, chromed steel base. The shell with high backrest is in polypropylene, upholstered in leather, coated fabric, fabric or customer's own material. Line detail stitching. Seat height 73 cm. Backrest height 108 cm.



Dimensions *



* File CAD 2D - 3D available for download at www.arper.com

Frame Base



CRO

Shell

arper

www.arper.com

info@arper.com

Catifa 46 Bar Stool

Design by Lievore Altherr Molina, 2004


Accessories:




Set of glides Art. 2015

SHIPMENT DETAILS

Art.0493

1 pz = 2  - kg 14,76/ m³ 0,321

4 pz = 5  - kg 57,04/ m³ 1,004

RESISTANCE TEST

- EN 1728:2012 - EN 16139:2013 6.17
- EN 1728:2012 - EN 16139:2013 6.21
- EN 1728:2012 - EN 16139:2013 6.4
- EN 1728:2012 - EN 16139:2013 6.8
- EN 1728:2012 - EN 16139:2013 6.18
- EN 1728:2012 - EN 16139:2013 6.24
- EN 1728:2012 - EN 16139:2013 6.5
- TUV GS (EN16139)

ENVIRONMENTAL CERTIFICATIONS



TECHNICAL SPECIFICATIONS

Art.0493

COL requirement m² 1.67

H 140 cm. COM Meterage m 1.1

*Classe 1, 2, 1IM: fire retardant version available with surcharge and eventual minimum batch

FIRE RETARDANT TEST

arper

www.arper.com
info@arper.com

www.arper.com