

Catifa 46 Counter Stool

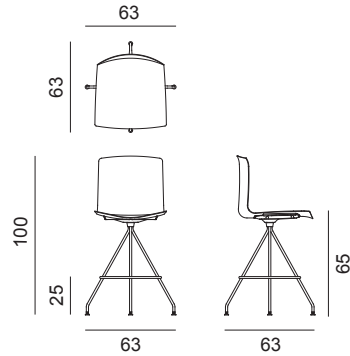
Design by Lievore Altherr Molina, 2004

Art. 0498

Low stool on swivelling, chromed steel base. Polypropylene shell with high backrest and front upholstery in leather, coated fabric, fabric or customer's own material. Seat height 65 cm. Backrest height 100 cm.



Dimensions *



* File CAD 2D - 3D available for download at www.arper.com

Frame Base



CRO

Shell

Polypropylene



PO00101

PO00104

PO00105

PO00109

PO00112

PO00113

PO00114

PO00115

PO00116

PO00117

PO00118

arper

www.arper.com

info@arper.com

Catifa 46 Counter Stool

Design by Lievore Altherr Molina, 2004


Accessories:




Set of glides Art. 2015

SHIPMENT DETAILS

Art.0498

1 pz = 2  - kg 15,96/ m³ 0,268

4 pz = 5  - kg 57,68/ m³ 0,772

RESISTANCE TEST

- TUV GS (EN16139)

ENVIRONMENTAL CERTIFICATIONS



TECHNICAL SPECIFICATIONS

Art.0498

COL requirement m² 0.94

H 140 cm. COM Meterage m 0.65

FIRE RETARDANT TEST

arper

www.arper.com
info@arper.com

www.arper.com