

Catifa 46 Bar Stool

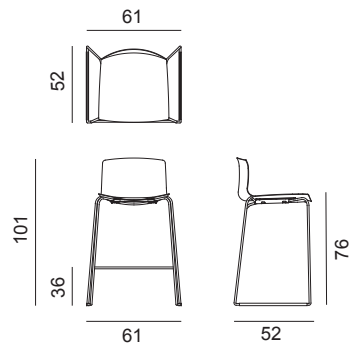
Design by Lievore Altherr Molina, 2004

Art. 0571

Stool with chromed or powder-coated steel sled base and oak-effect reconstituted veneer shell available in three finishes (natural oak, bleached oak, wengé). Seat height 76 cm. Optional glides with felt for wooden floors are available upon request.



Dimensions *



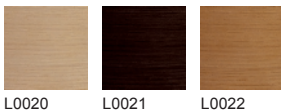
* File CAD 2D - 3D available for download at www.arper.com

Frame Base



Shell

Wood



- with stacking pad, without tools up to 10 units
- with stacking pad, with trolley up to 10 units

arper

info@arper.com

www.arper.com

Catifa 46 Bar Stool

Design by Lievore Altherr Molina, 2004

Accessories:



Cushion Art. 0261



Stacking protection glide Art. 0286



Trolley Art. 0760

SHIPMENT DETAILS

Art.0571

1 pz = 2 - kg 10,9/ m³ 0,347

4 pz = 2 - kg 35,82/ m³ 0,444

RESISTANCE TEST

- TUV GS (EN16139)

ENVIRONMENTAL CERTIFICATIONS



TECHNICAL SPECIFICATIONS

Art.0571

*Classe 1, 2, 1IM: fire retardant version available with surcharge and eventual minimum batch

FIRE RETARDANT TEST

arper

www.arper.com

info@arper.com