

# Catifa 46

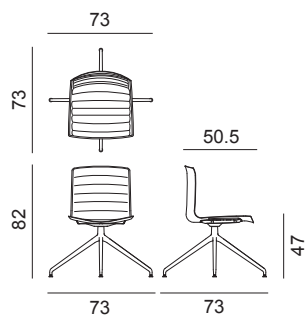
Design by Lievore Altherr Molina, 2013

## Art. 0316

Chair with polished or powder-coated aluminium swivel trestle base. The white polypropylene shell (PO101) is upholstered with a removable non-washable cover in leather, coated fabric, fabric or customer's own material. The cover stitching comes in the same color as the upholstery. Stitching on cover 1 and 3 comes in white or black, to customer's choice. The chair is provided already fitted with the cover. Steel armrests are available upon request.

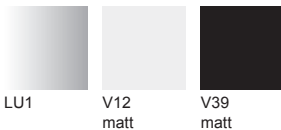


Dimensions \*



\* File CAD 2D - 3D available for download at [www.arper.com](http://www.arper.com)

Frame Base



Shell



arper

info@arper.com

www.arper.com

# Catifa 46

Design by Lievore Altherr Molina, 2013

---

Accessories:



Set of glides Art. 2015



Armrests BV

---

## SHIPMENT DETAILS

### Art.0316

- 1 pz = 2 - kg 11,4/ m<sup>3</sup> 0,267
- 1 pz = 3 - kg 13,78/ m<sup>3</sup> 0,296
- 4 pz = 2 - kg 36,4/ m<sup>3</sup> 0,392
- 4 pz = 3 - kg 44,54/ m<sup>3</sup> 0,428

---

## RESISTANCE TEST

- TUV GS (EN16139)

---

## ENVIRONMENTAL CERTIFICATIONS



---

## TECHNICAL SPECIFICATIONS

### Art.0316

COL requirement m<sup>2</sup> 1.97  
H 140 cm. COM Meterage m 1.08  
\*Classe 1, 2, 1IM: fire retardant version available with surcharge and eventual minimum batch

---

## FIRE RETARDANT TEST

arper

www.arper.com

info@arper.com