

Catifa 70

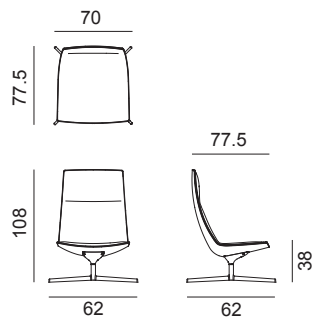
Design by Lievore Altherr Molina, 2006

Art. 2007

Lounge chair with polished or powdercoated aluminium pedestal base, available in the swivel version (Art. 2007) or with return mechanism (Art. 2035). The polyurethane shell is upholstered in leather, coated fabric, fabric or customer's material. Aluminium armrests are offered in the same finishes of the base, also in upholstered version.



Dimensions *



* File CAD 2D - 3D available for download at www.arper.com

Frame Base



LU1

arper

www.arper.com

info@arper.com

Catifa 70

Design by Lievore Altherr Molina, 2006





Armrests CI

SHIPMENT DETAILS

Art.2007

1 pz = 1  - kg 19,81/ m³

1 pz = 1  - kg 36/ m³ 0,955

1 pz = 1  - kg 40/ m³ 0,955

RESISTANCE TEST

ENVIRONMENTAL CERTIFICATIONS



TECHNICAL SPECIFICATIONS

Art.2007

COL requirement m² 3.86

H 140 cm. COM Meterage m 2.7

FIRE RETARDANT TEST

Classe 1M Omologazione Italia Divina MD Kvadrat Divina Melange 3
Kvadrat Divina 3 Kvadrat Elmosoft Field Kvadrat Hallingdal 65 Kvadrat
Elmo Neocoast Remix 3 Kvadrat Steelcut Trio 3 Kvadrat Tonus 4 Kvadrat
Coated fabric Valencia Spradling

arper

www.arper.com
info@arper.com

www.arper.com