

# Catifa 46 Bar Stool

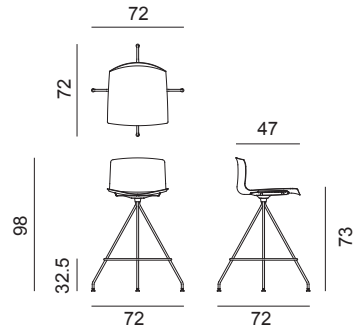
## Design by Lievore Altherr Molina, 2004

### Art. 0489

High stool on swivelling, chromed steel base. The shell with low backrest is in polypropylene, covered in hard leather without padding. Seat height 73 cm. Backrest height 98 cm.



Dimensions \*



\* File CAD 2D - 3D available for download at [www.arper.com](http://www.arper.com)

Frame Base



CRO

Shell

arper

www.arper.com

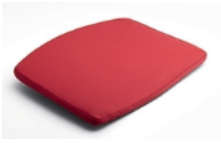
info@arper.com

# Catifa 46 Bar Stool

## Design by Lievore Altherr Molina, 2004

---

Accessories:



Cushion Art. 0261





Set of glides Art. 2015

---

### SHIPMENT DETAILS

#### Art.0489

1 pz = 2  - kg 13,96/ m<sup>3</sup> 0,288

4 pz = 5  - kg 53,54/ m<sup>3</sup> 0,936

---

### RESISTANCE TEST

- EN 1728:2012 - EN 16139:2013 6.21
- TUV GS (EN16139)

- EN 1728:2012 - EN 16139:2013 6.8

---

### ENVIRONMENTAL CERTIFICATIONS



---

### TECHNICAL SPECIFICATIONS

---

### FIRE RETARDANT TEST

arper

www.arper.com

info@arper.com