

Catifa 46

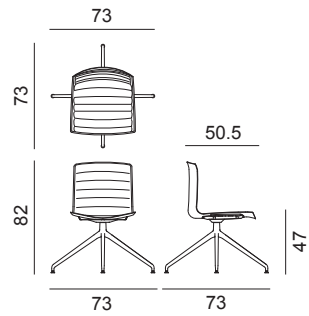
Design by Lievore Altherr Molina, 2004

Art. 0375

Chair with polished or powdercoated aluminium swivel trestle base. The shell is upholstered in leather, coated fabric, fabric or customer's own material. Line detail stitching. Steel armrests, also upholstered, are available upon request.

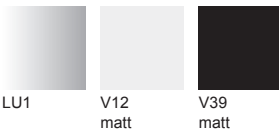


Dimensions *



* File CAD 2D - 3D available for download at www.arper.com

Frame Base



Shell

arper

www.arper.com

info@arper.com

Catifa 46

Design by Lievore Altherr Molina, 2004

Accessories:



Set of glides Art. 2015



Armrests BV



Armrests CI - only pad

SHIPMENT DETAILS

Art.0375

- 1 pz = 2 - kg 11,4/ m³ 0,267
- 1 pz = 3 - kg 13,78/ m³ 0,296
- 4 pz = 2 - kg 36,4/ m³ 0,392
- 4 pz = 3 - kg 44,54/ m³ 0,428

RESISTANCE TEST

- TUV GS (EN16139)

ENVIRONMENTAL CERTIFICATIONS



TECHNICAL SPECIFICATIONS

Art.0375

COL requirement m² 1.67
H 140 cm. COM Meterage m 1.1
*Classe 1, 2, 1IM: fire retardant version available with surcharge and eventual minimum batch

FIRE RETARDANT TEST

Classe 1 Omologazione Italia Legno

arper

www.arper.com
info@arper.com

www.arper.com