

# Catifa 80

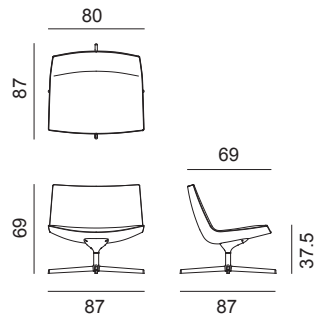
Design by Lievore Altherr Molina, 2006

## Art. 2009

Lounge chair with polished or powder-coated aluminium pedestal base, available in the swivel version (Art. 2009) or with return mechanism (Art. 2028) The polyurethane shell is upholstered in leather, coated fabric, fabric or customer's material.

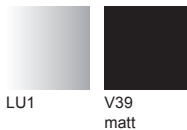


## Dimensions \*



\* File CAD 2D - 3D available for download at [www.arper.com](http://www.arper.com)

## Frame Base



arper

## Shell

### Carded In



### Graded In

**kvadrat**

**camira**

**Gabriel®**

info@arper.com

www.arper.com


# Catifa 80

## Design by Lievore Altherr Molina, 2006

---

### SHIPMENT DETAILS

**Art.2009**

1 pz = 1  - kg 26,54/ m³ 0,588

---

### RESISTANCE TEST

- EN 1728:2000 - EN 15373:2007 6.2.1
- EN 1728:2000 - EN 15373:2007 6.7
- EN 1728:2000 - EN 13761:2002 6.7
- EN 1728:2000 - EN 13761:2002 6.2.2
- EN 1728:2000 - EN 13761:2002 6.15
- EN 1728:2000 - EN 15373:2007 6.2.2
- EN 1022:05
- EN 1728:2000 - EN 13761:2002 6.2.1
- EN 1728:2000 - EN 13761:2002 6.8
- EN 1728:2000 - EN 13761:2002 6.16

---

### ENVIRONMENTAL CERTIFICATIONS



---

### TECHNICAL SPECIFICATIONS

**Art.2009**

COL requirement m² 3.14  
H 140 cm. COM Meterage m 2.37

---

### FIRE RETARDANT TEST

arper

www.arper.com  
info@arper.com