

Catifa 46 Counter Stool

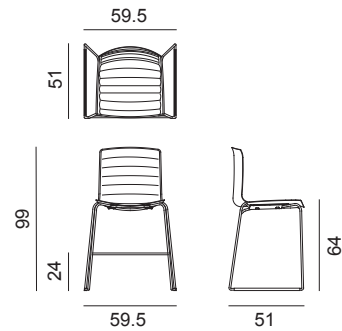
Design by Lievore Altherr Molina, 2004

Art. 0476

Stool with chromed or powdercoated steel sled base and polypropylene shell upholstered in leather, coated fabric, fabric or customer's own material. Line detail stitching. Seat height 64 cm. Optional glides with felt for wooden floors are available upon request.



Dimensions *



* File CAD 2D - 3D available for download at www.arper.com

Frame Base



CRO

V12
matt

V39
matt

Shell

- with stacking pad, without tools up to 8 units
- with stacking pad, with trolley up to 8 units

- leather / coated fabric: with stacking pad, without tools up to 5 units
- leather / coated fabric: with stacking pad, with trolley up to 5 units

arper

www.arper.com

info@arper.com

Catifa 46 Counter Stool

Design by Lievore Altherr Molina, 2004

Accessories:




Stacking protection pad Art. 0499




Trolley Art. 0760

SHIPMENT DETAILS

Art.0476

1 pz = 2  - kg 12,6/ m³ 0,338

4 pz = 2  - kg 43,6/ m³ 0,532

RESISTANCE TEST

- TUV GS (EN16139)

ENVIRONMENTAL CERTIFICATIONS



TECHNICAL SPECIFICATIONS

Art.0476

COL requirement m² 1.67

H 140 cm. COM Meterage m 1.1

*Classe 1, 2, 1IM: fire retardant version available with surcharge and eventual minimum batch

FIRE RETARDANT TEST

arper

www.arper.com

info@arper.com