

# Catifa 46

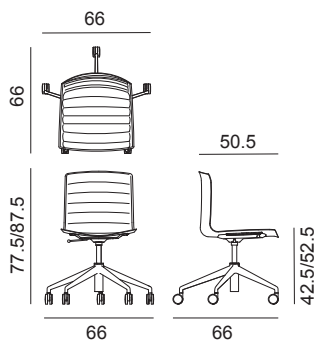
Design by Lievore Altherr Molina, 2004

## Art. 0382

Chair with polished or powdercoated aluminum five-star swivel trestle base, mounted on selfbraking castors (color matching with base) and fitted with gas height adjustment mechanism. The shell is upholstered in leather, coated fabric, fabric or customer's own material. Line detail stitching. Steel armrests, also upholstered, are available upon request.

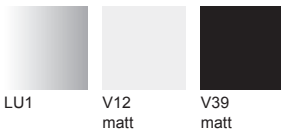


Dimensions \*



\* File CAD 2D - 3D available for download at [www.arper.com](http://www.arper.com)

Frame Base



Shell

arper

www.arper.com

info@arper.com

# Catifa 46

Design by Lievore Altherr Molina, 2004

---



Armrests BV



Armrests CI - only pad

---

## SHIPMENT DETAILS

### Art.0382

- 1 pz = 2 - kg 12,9/ m<sup>3</sup> 0,326
- 1 pz = 3 - kg 15,28/ m<sup>3</sup> 0,355
- 4 pz = 5 - kg 49,6/ m<sup>3</sup> 1,004
- 4 pz = 6 - kg 57,76/ m<sup>3</sup> 1,06

---

## RESISTANCE TEST

- TUV GS (EN16139)

---

## ENVIRONMENTAL CERTIFICATIONS



---

## TECHNICAL SPECIFICATIONS

### Art.0382

COL requirement m<sup>2</sup> 1.67  
H 140 cm. COM Meterage m 1.1  
\*Classe 1, 2, 1IM: fire retardant version available with surcharge and eventual minimum batch

---

## FIRE RETARDANT TEST

Classe 1IM Omologazione Italia Divina MD Kvadrat Divina Melange 3 Kvadrat Divina 3 Kvadrat Elmosoft Field Kvadrat Revive 1 Kvadrat Steelcut Trio 3 Kvadrat Coated fabric Valencia Spradling

arper

www.arper.com

info@arper.com